

Roland Authorized Accessories

Effective 10/17/06

MDX-40

MDX-40 (CNC milling machine w/ ZCL-40 4 th Axis)	\$10,995
---	-----------------



Collets

ZC-23-3175	(Bottom Load 1/8" Collet, Inc. w/ JWX-10, MDX-40)	\$38.99
ZC-23-635	(Bottom Load 1/4" Collet, Inc. w/ JWX-10)	\$38.99
ZC-23-6	(Bottom Load 6mm Collet)	\$38.99
ZC-23-3	(Bottom Load 3mm Collet)	\$38.99
ZC-23	(Bottom Load 3mm, 4mm, 5mm, 6mm Collet Set)	\$179.99
ZC-E436	(Engraving Collet, Inc. w/ JWX-10)	\$29.99

Collets hold tools firmly in machines spindle



Ball End Mills (Solid Micrograin Carbide)

BM-250-2F-250	(1/4" Shank, 2 Flute, 1/4" Mill, 3" Overall Length)	\$49.99
EMB-125-3F-125	(1/8" Shank, 3 Flute, 1/8" Mill, 2.5" Overall Length)	\$44.99
EMB-125-3F-063	(1/8" Shank, 3 Flute, 1/16" Mill, 2.5" Overall Length)	\$44.99
EMB-125-3F-031	(1/8" Shank, 3 Flute, 1/32" Mill, 2.5" Overall Length)	\$44.99
EMB-125-3F-016	(1/8" Shank, 3 Flute, 1/64" Mill, 2.5" Overall Length)	\$56.99



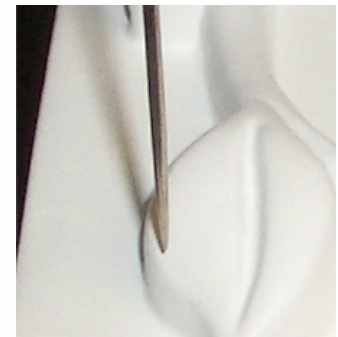
Flat End Mills (Solid Micrograin Carbide)

EM-250-2F-250	(1/4" Shank, 2 Flute, 1/4" Mill, 3" Overall Length)	\$24.99
EMF-125-3F-125	(1/8" Shank, 3 Flute, 1/8" Mill, 2.5" Overall Length)	\$39.99
EMF-125-3F-063	(1/8" Shank, 3 Flute, 1/16" Mill, 2.5" Overall Length)	\$39.99
EMF-125-3F-031	(1/8" Shank, 3 Flute, 1/32" Mill, 2.5" Overall Length)	\$39.99
EMF-125-3F-016	(1/8" Shank, 3 Flute, 1/64" Mill, 2.5" Overall Length)	\$49.99



Contact Scanning Probe

ZSC-1 (Contact scanner, putty, Roland Software Bundle CD)	\$495
---	--------------



Chip Collection Bin

ZDX-40 (Box, sliding bin, and mounting hardware)

\$495



Extended Warranty

Additional 1 Year Warranty Coverage (Diamond Plate)

\$500

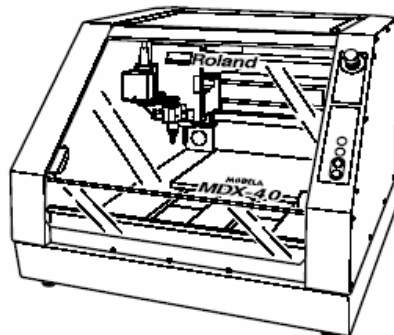
Additional 2 Years Warranty Coverage (Three Years Coverage)

\$1,000

Additional 3 Years Warranty Coverage (Four Years Coverage)

\$1,500

Additional coverage covers the machine for parts, labor and shipping of unit one way if necessary.



SRP Materials

US-SRP-KIT	(Kit containing 1 each of the below materials)	\$99
US-SRP-ABS	(Black ABS, 6 Pack, 1" x 3" x 5")	\$79
US-SRP-DEL	(White Delrin/Acetal, 6 Pack, 1" x 3" x 5")	\$99
US-SRP-POLY	(Clear Polycarbonate, 6 pack, 1" x 3" x 5")	\$199
US-SRP-WAX	(Blue Machineable Wax, 6 Pack, 1.5" x 3" x 5")	\$79
US-SRP-MD	(Medium Density Tooling Board, 6 Pack, 1.5" x 3" x 5")	\$79
US-SRP-LT	(Light Density Tooling Board, 6 Pack, 2" x 3" x 5")	\$49