



# **EGX-30/30A Hardware Setup Guide**



## EGX Series Hardware Setup Guide

- ❖ This guide covers the basic setup for the Roland EGX-30 or 30A Light Duty Desktop Engraver.
- ❖ The setup covers Plastic and Scribing setup.
- ❖ For additional details and information on a particular configuration always refer to the Users Manual for your engraver.

NOTES:

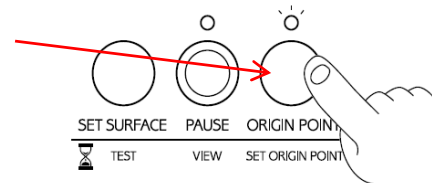
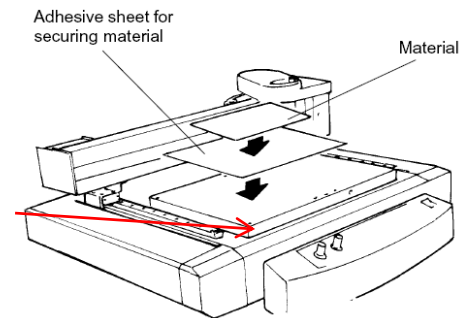
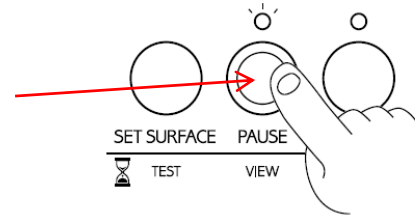


# EGX-30A Hardware Setup for Plastic Engraving

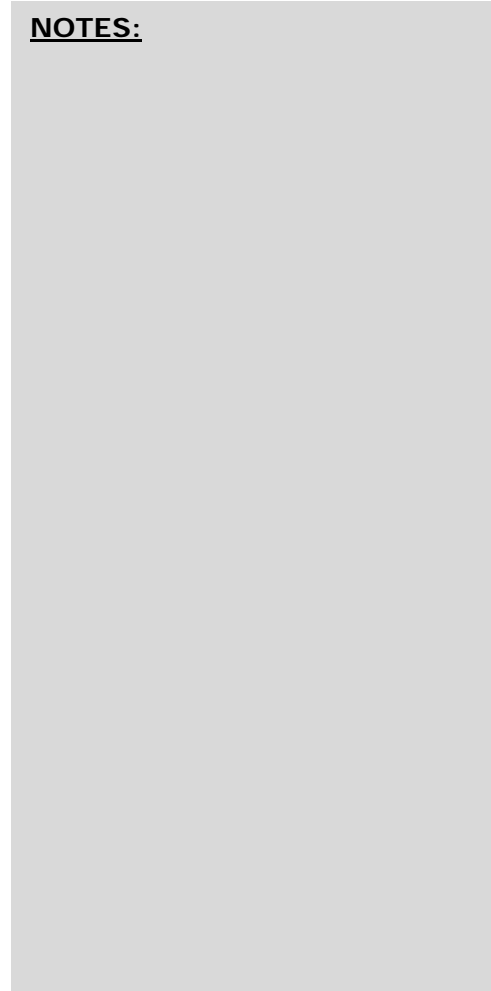


# EGX-30A Setup for Plastic Engraving

- ❖ Power the unit on from the control panel. The machine is paused when powered on.
- ❖ Press the PAUSE/VIEW button to initialize the unit.
- ❖ Once initialized the carriage will stop at the upper right corner of the table. Ensure that the unit is set to ENGRAVER mode via the SELECT button.
- ❖ Place the adhesive sheet (AS-10) in the lower left corner of the table and mount the material to be engraved on top.
- ❖ Using the arrow keys on the control panel move the tool to the front left corner of the loaded material.
- ❖ Press and hold down the SET ORIGIN POINT key until the LED lights up (about 2 seconds) and release. This will set the XY origin position.



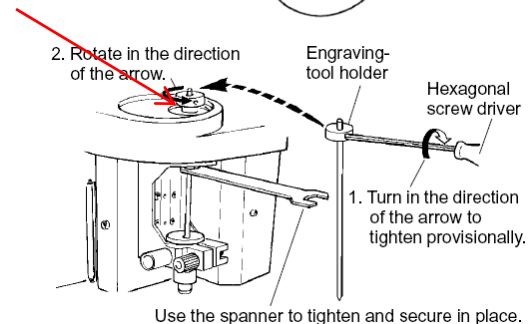
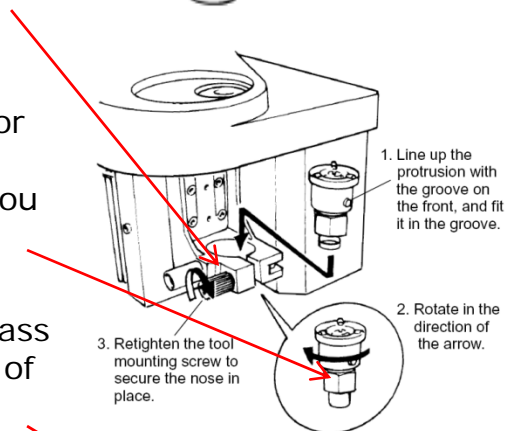
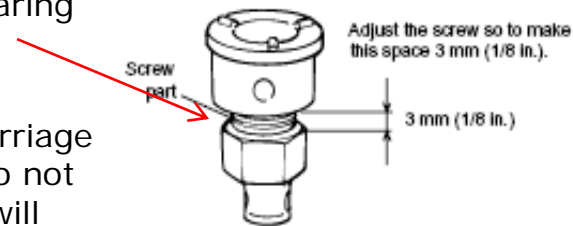
## NOTES:





# EGX-30A Setup for Plastic Engraving

- ❖ Install the depth regulator nose to the bearing assembly (DRN-20).
- ❖ Insert the depth regulator into the tool carriage and finger tighten the mounting screw. Do not over tighten the screw or else the cutter will have a hard time spinning.
- ❖ Ensure that the flat side of the depth regulator nose is facing the front of the unit (this will make adjusting the depth easier as it gives you a reference point).
- ❖ Remove the cutter from the cutter holder (brass knob) and install the cutter holder to the top of the spindle unit. Use the spanner wrench to tighten the cutter holder securely in place.

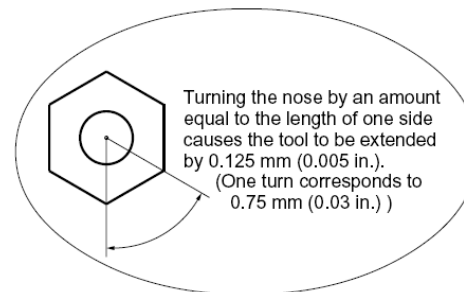
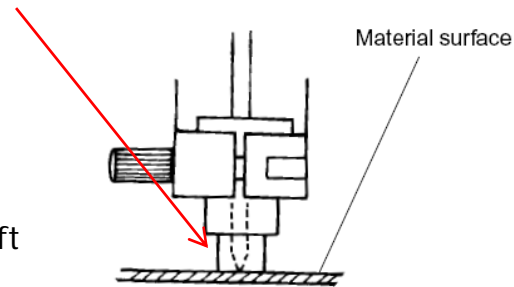


## NOTES:



# EGX-30A Setup for Plastic Engraving

- ❖ Press the SET SURFACE button to automatically lower the nose to the surface of the material.
- ❖ Gently lower the cutter until the tip of the tool touches the surface.
- ❖ Tighten the cutter in place using the supplied hex wrench.
- ❖ Press the SET SURFACE button one more to lift the tool off the surface.
- ❖ Using the spanner wrench, adjust the depth regulator nose to expose the desired amount of tool for engraving. Each flat side of the nose is equal to 0.005" (0.125mm). One full turn is equal to 0.03" (0.75mm).
- ❖ The machine is now ready to rotary engrave.



## NOTES:

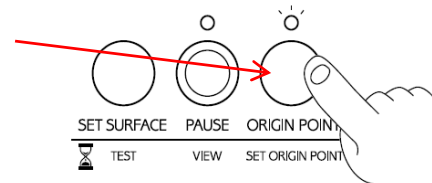
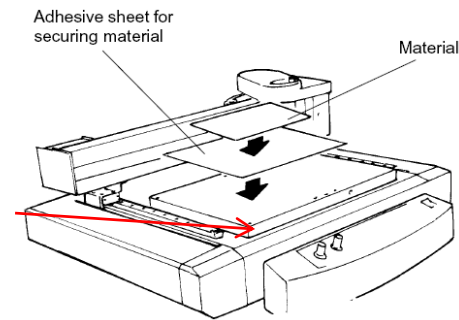
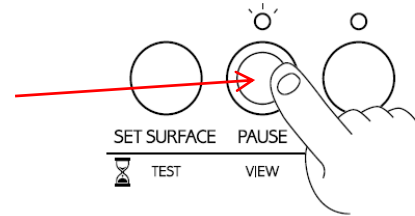


# EGX-30A Hardware Setup for Scribing



# EGX-30A Setup for Scribing

- ❖ Power the unit on from the control panel. The machine is paused when powered on.
- ❖ Press the PAUSE/VIEW button to initialize the unit.
- ❖ Once initialized the carriage will stop at the upper right corner of the table. Ensure that the unit is set to SCORE mode via the SELECT button.
- ❖ Place the adhesive sheet (AS-10) in the lower left corner of the table and mount the material to be engraved on top.
- ❖ Using the arrow keys on the control panel move the tool to the front left corner of the loaded material.
- ❖ Press and hold down the SET ORIGIN POINT key until the LED lights up (about 2 seconds) and release. This will set the XY origin position.



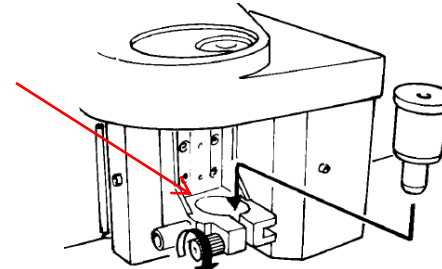
## NOTES:



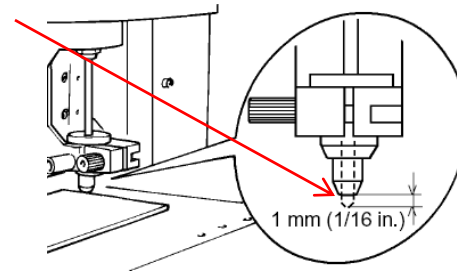


# EGX-30A Setup for Scribing

- ❖ Install the brass cutter guide into the tool carriage and tighten securely in place.
- ❖ Remove the scribing tool (Diamond Scraper) from the cutter holder and install the cutter holder to the spindle unit.
- ❖ Insert the scribing tool until it protrudes from the bottom of the brass cutter guide about 1mm and tighten in place with the hex wrench.
- ❖ The machine is now ready to scribe (diamond drag).



Retighten the tool mounting screw to secure in place.



## NOTES: