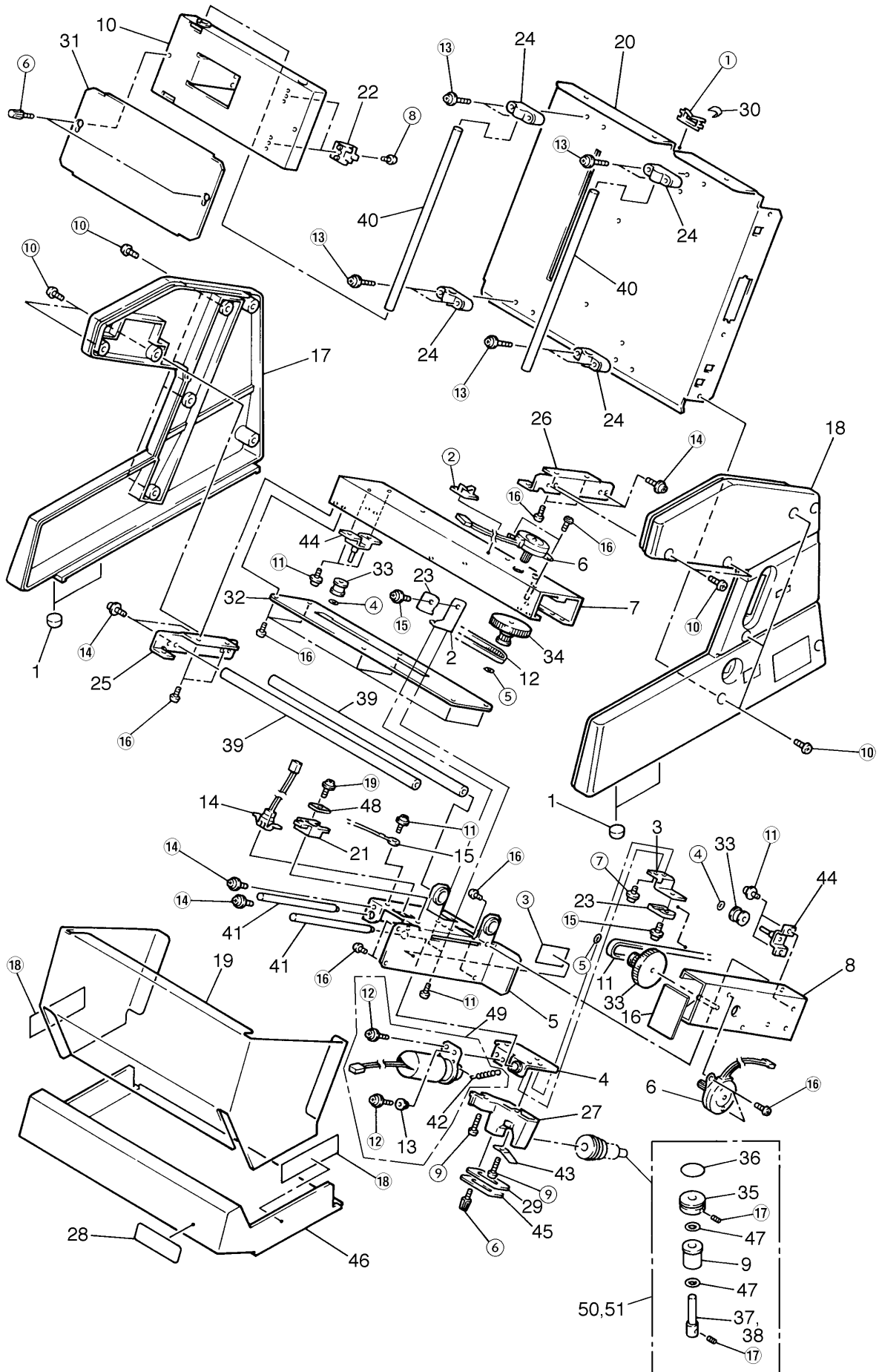


1 Structure & Spare Parts

1-1 FRONT

1



PARTS LIST -Main Parts-

	Parts No.	Parts Name
1	11879106	ABSORBER,SJ-5027
2	21905110	ADAPTER,X MDX-3
3	21905112	ADAPTER,Z MDX-3
4	22805174	ASS'Y,BASE SP HOLDER MDX-3
5	22805178	ASS'Y,BASE SPINDLE MDX-3
6	22805171	ASS'Y,MOTOR X,Z MDX-3
7	22805173	ASS'Y,PLATE X BASE MDX-3
8	22805177	ASS'Y,PLATE Z BASE MDX-3
9	22805175	ASS'Y,SLEEVE SP MDX-3
10	22805176	ASS'Y,TABLE Y MDX-3
11	21925106	BELT,240P2M4
12	21925104	BELT,464P2M4
13	12159519	BUSH,B-F3-5
14	23505281	CABLE-ASSY SPCONNECT MDX-3
15	23505329	CABLE-ASSY,GND 1 MDX-3
16	22335115	CAP,MDX-3
17	22065264	COVER,L MDX-3
18	22065266	COVER,R MDX-3
19	22065297	COVER,WINDOW MDX-3
20	22115712	FRAME,MDX-3
21	22135516	GUIDE,X MDX-3
22	22135517	GUIDE,Y MDX-3
23	22205141	HOLDER,BELT MDX-3
24	21655130	HOLDER,SHAFT F MDX-3
25	21655128	HOLDER,SHAFT L MDX-3
26	21655129	HOLDER,SHAFT R MDX-3
27	21655121	HOLDER,SP MDX-3
28	22505250	LABEL,CORPORATE MARK 19*69 624
29	22505267	LABEL,STOPPER MDX-3
30	22055326	PLATE,RUBBER MDX-3
31	22055301	PLATE,TABLE MDX-3
32	22055312	PLATE,X MDX-3
33	22175794	Y-PULLEY ASS'Y
34	21975120	PULLEY,T20P2S4+GEARS150
35	21975121	PULLEY,UD21.7S8(B11)
36	11929107	RING,O P22A
37	22295126	SHAFT,SP ANSI MDX-3 (6.35MM)
38	22295125	SHAFT,SP ISO MDX-3 (6MM)
39	22295134	SHAFT,X MDX-3
40	22295135	SHAFT,Y MDX-3
41	22295136	SHAFT,Z MDX-3
42	22175137	SPRING,PLATE MDX-3
43	22175145	SPRING,SP MDX-3
44	22715108	STAY,PULLEY MDX-3
45	22135319	STOPPER,SP MDX-3
46	21445103	TRAY,DUST MDX-3
47	21425105	WASHER 8.1*14.8 T=0.13 MDX-3
48	22135326	STOPPER,GUIDE MDX-3
49		MM-3
50		MS-6 (6MM)
51		MS-4A (6.35MM)

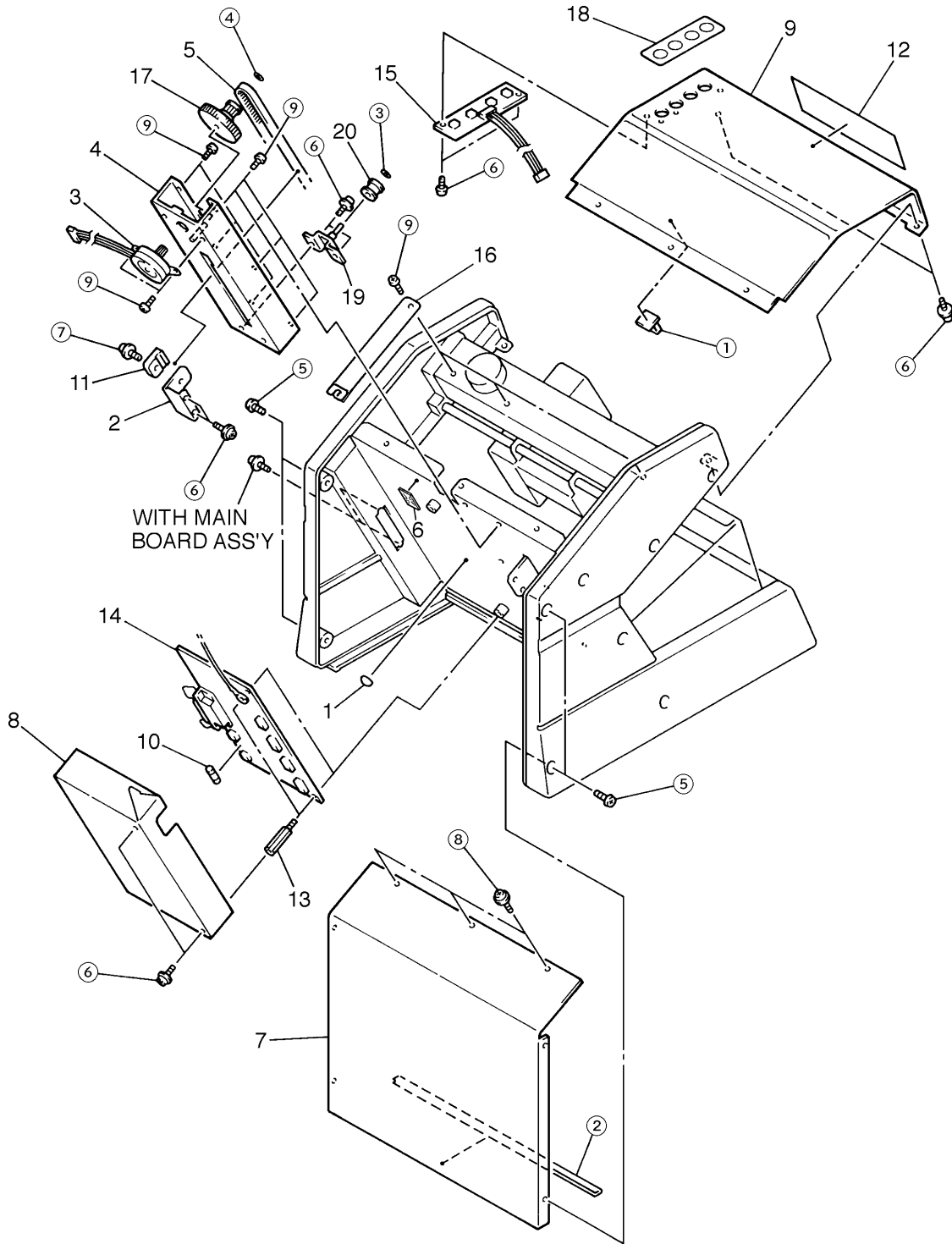
PARTS LIST -Supplemental Parts-

	Parts Name	
①	BINDER CORD BINDER EDS-2	
②	BINDER CORD BINDER LWS-1M	
③	LABEL CAUTION CUTTER PNC-1610	
④	RING C-RING	M3
⑤	RING C-RING	M4
⑥	SCREW "HIPICK"(WHITE)	3X10
⑦	SCREW BINDING HEAD	Cr 3X4
⑧	SCREW BINDING HEAD	BC 3X5
⑨	SCREW BINDING HEAD	BC 3X16
⑩	SCREW BINDING HEAD	Ni 4X8
⑪	SCREW W-SEMS	BC 3X6
⑫	SCREW W-SEMS	BC 3X8
⑬	SCREW W-SEMS	BC 3X20
⑭	SCREW W-SEMS	BC 4X8
⑮	SCREW W-SEMS	BC 4X10
⑯	SCREW S-TIGHT	BC 3X6
⑰	SCREW W-POINT	Cr 3X3
⑱	TAPE NITTO#500(CUT WHEN USING)	(25X95)
⑲	SCREW W-SEMS	BC 3X25

1

1-2 REAR

1



PARTS LIST -Main Parts-

	Parts No.	Parts Name
1	11879106	ABSORBER,SJ-5027
2	21905111	ADAPTER,Y MDX-3
3	22805170	ASS'Y,MOTOR Y MDX-3
4	22805172	ASS'Y,PLATE Y BASE MDX-3
5	21925105	BELT,354P2M4
6	12369428	BINDER BASE
7	22025202	COVER,B MDX-3
8	22065263	COVER,PCB MDX-3
9	22025203	COVER, TOP MDX-3
10	12559570	FUSE 5X20 CEE-2AT WICKMANN
11	22205141	HOLDER,BELT MDX-3
12	22505110	LABEL,LOGOTYPE MODELA NO.626
13	2215052500	LONG NUT #525
14	7418811000	MAIN BOARD ASSY
15	7418807000	PANEL BOARD ASSY
16	22055314	PLATE,GND MDX-3
17	21975120	PULLEY,T20P2S4+GEARS150
18	22665202	SHEET,PANEL MDX-3
19	22715108	STAY,PULLEY MDX-3
20	22175794	Y-PULLEY ASS'Y

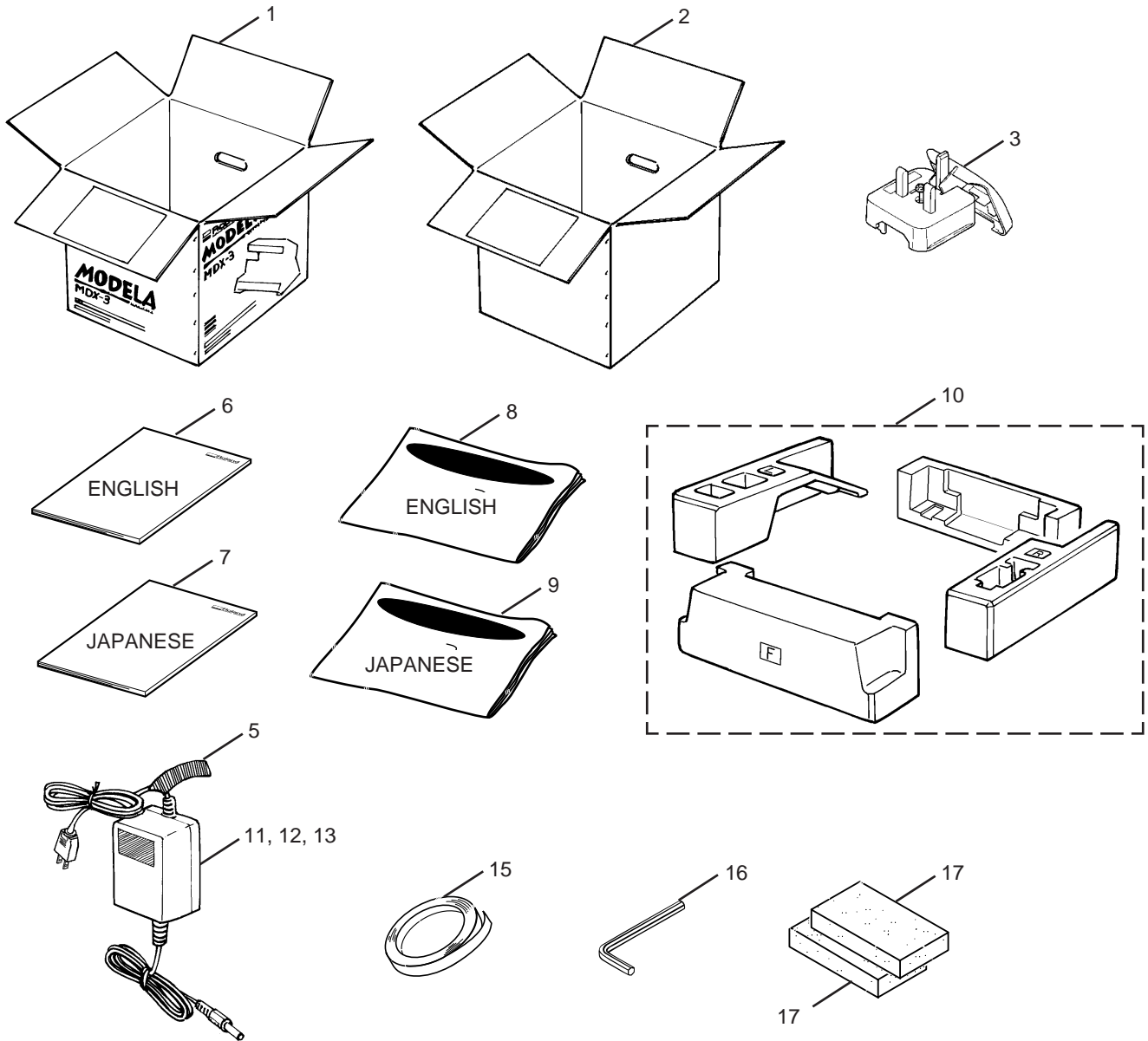
PARTS LIST -Supplemental Parts-

	Parts Name	
①	BINDER CORD BINDER LWS-1M	
②	EDGING NO.016(CUT WHEN USING)	270MM
③	RING C-RING	M3
④	RING C-RING	M4
⑤	SCREW BINDING HEAD	Ni 4X8
⑥	SCREW W-SEMS	BC 3X6
⑦	SCREW W-SEMS	BC 4X10
⑧	SCREW PAN HEAD+FW	Ni 3X6
⑨	SCREW S-TIGHT	BC 3X6

1

1-3 ACCESSORIES

1



PARTS LIST -Main Parts-

	Parts No.	Parts Name
1	22605215	CARTON MDX-3
2	22605229	CARTON,ANSI MDX-3
3	13439856	CONNECTOR PLUG ECP01-5A 240E
5	22505251	LABEL,CAUTION PLUG MDX-3 #637
6	26015139	MANUAL,SOFTUSE EN MDX-3
7	26015138	MANUAL,SOFTUSE JP MDX-3
8	26015137	MANUAL,USE EN MDX-3
9	26015136	MANUAL,USE JP MDX-3
10	21545109	PAD,SET MDX-3
11	12429104	POWER UNIT AC-ADP. DCP-603 (220-240V)
12	12429103	POWER UNIT AC-ADP.DCP-601 (100V)
13	12429102	POWER UNIT AC-ADP.DCP-602 (120V)
15	11399102	TAPE,817 15*20
16	11939116	TOOL,HEXAGON1.5 MFZN MDX-3
17	21935117	TOOL,STYLOFORM MDX-3