

PASSP RT

Knowledge Base

MODEL: Roland SP-300v/SP-540v	BULLETIN DATE: 11/01/05
SUBJECT: Print/Laminate/Cut Workflow	REVISION: Initial Release

Overview

The following document explains the general workflow of printing a graphic and cutting the object after lamination.

Prerequisites

The media is loaded and the printer is ready for normal printing operation.

The graphic with cutting path(s) has been created properly and saved as an .EPS file type (*).

Send Printing Data

1. Launch Roland VersaWorks
2. Click <File, Add Job to Queue A> in the menu bar.
3. In the "Open" dialog window that appears, navigate to the saved .EPS file that you want to print and cut, click once on the file to select it, then click the <Open> button.
4. The file is added to the Queue A job list.
5. Click the job once to highlight it, and then click <Job, Settings> in the menu bar.
6. In the "Job Settings" window that is displayed, click the <Mark> button to show the options and place a check mark in the "Crop Mark" box.
7. Click the <Cut Control> button to show the options, change the Operation Mode option to "Print Only", then click <OK>.
8. Highlight the job in the queue, click <Job, Print> in the menu bar.

The job will RIP and Print to the printer. The output will be printed with crop marks.

Important!

Before performing a sheet cut on the printed job, form feed the media forward a few inches (no less than 4") to leave extra media on the tail end of the print job. This is required to allow the printer enough material to cover the rear media sensor during the final cutting stage.

(*) For information on creating cutting paths in Adobe Illustrator or CorelDraw, refer to the Roland VersaWorks User's Manual section "Part 4: Contour Cutting", page 47 of the printed manual (page 49 of the PDF version). PDF version available here:

http://www.rolanddga.com/rnet30/files/support/versaworks_use_en_R2.pdf



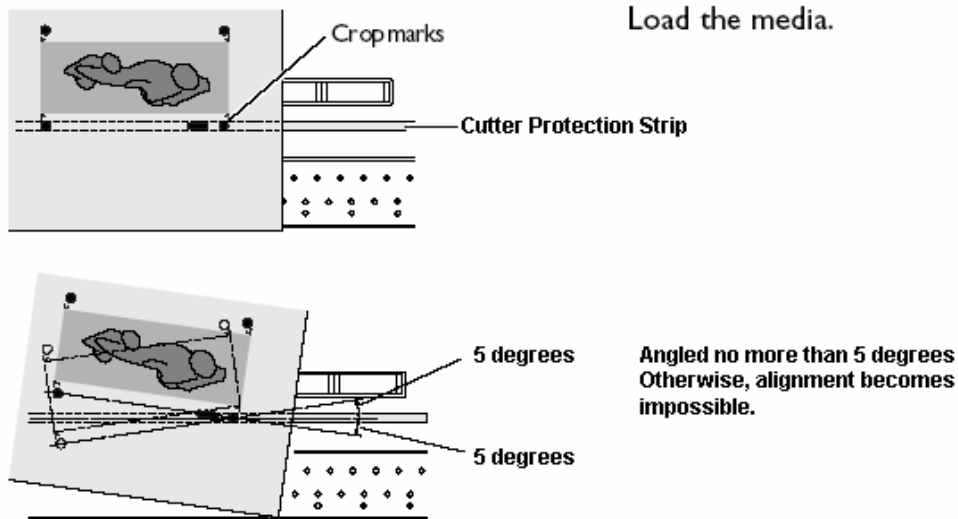
PASSP RT

Knowledge Base

Preparing To Cut

Reload media into the printer. The two crop marks (at the top of the print) need to be positioned directly on top of the cutter protection strip. Otherwise, the crop marks are out of position and the sensor will not detect them (^).

Example of media loading position



Send Cutting Data

After laminating and loading the media in the printer, configure the file in VersaWorks for cutting.

- 1) In VersaWorks, click the job once to highlight it, and then click <Job, Settings> in the menu bar.
- 2) The "Job Settings" window will be displayed.
- 3) Click the <Mark> button to show the options, verify a check mark in the "Crop Mark" box is still there.
- 4) Click the <Cut Control> button to show the options, change the "Operation Mode" to "Cut Only", then click <OK>.
- 5) Highlight the job in the queue, click <Job, Print>, and when asked "Do you want to RIP again?" click <Yes>.

The printer will initialize shortly, scan for the crop marks automatically, then begin cutting the job.

NOTES: If the printer fails to detect the crop marks, the printer panel will display "Cropmark Error Not Found".

If this happens, press the <Enter> button on the printer to cancel the job on the machine.

Shortly after, VersaWorks will display an error, click the <Cancel> button, then prepare the printer for normal operation, reload the media properly, then start over at "Send Cutting Data" step # 5 above to resend the job to the printer,

If the problem persists after performing the above steps, contact your dealer.

(^) For more information on how to reload the media properly for cutting, refer to the VersaCamm User's Manual section "4-7 Using the Crop Mark Feature", page 82 of the printed manual (page 84 of the PDF version). PDF version available here:
http://www.rolanddga.com/rnet30/files/support/sp-540v_use_en_r2.pdf