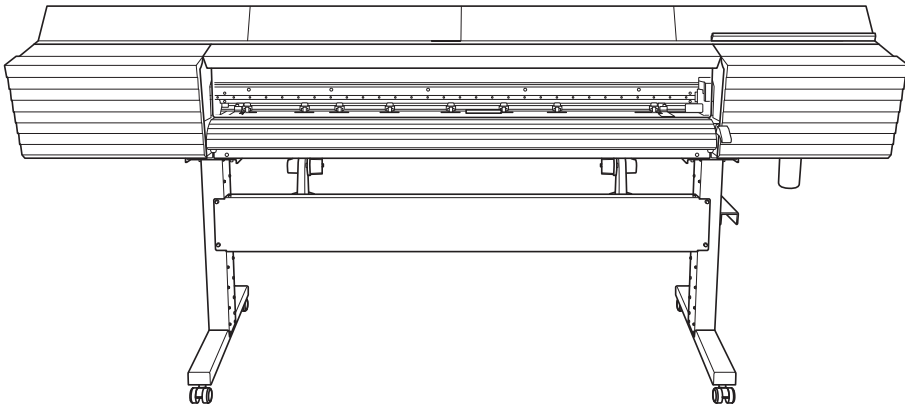


TrueVIS VG-640/VG-540 Setup Guide



Thank you very much for purchasing this product.

- To ensure correct and safe usage with a full understanding of this product's performance, please be sure to read through this manual completely and store it in a safe location.
 - Unauthorized copying or transferral, in whole or in part, of this manual is prohibited.
 - The contents of this manual and the specifications of this product are subject to change without notice.
 - This manual and the product have been prepared and tested as much as possible. If you find any misprints or errors, please inform Roland DG Corp.
 - Roland DG Corp. assumes no responsibility for any direct or indirect loss or damage that may occur through use of this product, regardless of any failure to perform on the part of this product.
 - Roland DG Corp. assumes no responsibility for any direct or indirect loss or damage that may occur with respect to any article made using this product.
-

Roland DG Corporation



1000015286

Contents

Contents	1
1. Installation Environment	2
Deciding On an Installation Site	2
Temperature and Humidity	3
Installation Space	3
2. Included Items	4
3. Assembly and Ink Filling	5
Checks before Operations	5
Step 1: Assembling the Stand and Attaching the Printer	6
Step 2: Installing the Media Holders	10
Step 3: Installing the Drain Bottle	13
Step 4: Removing the Retainers	14
Step 5: Adjusting the Ink Tube and Affixing a Label (Only When Using Four Colors)	15
Step 6: Connecting the Cables	16
Step 7: Initial Settings	17
Step 8: Ink Filling	19
4. Installing the Cutting Tool	26
Step 1: Assembling the Cutting Tool	26
Step 2: Installing the Cutting Tool	27
5. Network Settings	29
Step 1: Make the Network Settings for the Computer	29
Step 2: Make the Network Settings on the Printer	31
Step 3: Make the Port Settings for the Software RIP	34

This document is the setup guide for both the VG-640 and the VG-540. This document uses the following notation to distinguish between the two models where necessary.

VG-640 — 64-inch model

VG-540 — 54-inch model

Also, most of the figures in this document depict the VG-640.

Company names and product names are trademarks or registered trademarks of their respective holders.

1. Installation Environment

Deciding On an Installation Site

Install the machine in a quiet, stable location offering good operating conditions. An unsuitable location can cause accidents, fire, faulty operation, or breakdown.

⚠️ WARNING **Install the machine in a location that is level, stable, and able to bear the weight of the machine.**

The total weight of the machine may reach over 290 kg (639.3 lb.) for the 64-inch model, 260 kg (573.1 lb.) for the 54-inch model. Installation in an unsuitable location may cause a major accident, including tip over, fall, or collapse.

⚠️ WARNING **Never install this machine outside or in any location where exposure to water or high humidity may occur.**

Current leakage may cause electrical shock, electrocution, or combustion and fire.

⚠️ WARNING **Never install the machine close to any flammable object or in a gas-filled location.**

Combustion or explosion may occur.

⚠️ WARNING **Install the machine in a clean, brightly lit location.**

Working in a location that is dark or cluttered may lead to an accident, such as becoming caught in the machine as the result of an inadvertent stumble.

⚠️ WARNING **Position the machine so that the power plug is within immediate reach at all times.**

This is to enable quick disconnection of the power plug in the event of an emergency. Install the machine next to an electrical outlet. Also, provide enough empty space to allow immediate access to the electrical outlet.

⚠️ CAUTION **Ensure adequate ventilation for the work area.**

Failing to perform ventilation may result in a health hazard or danger of combustion due to ink fumes.

Unsuitable Installation Sites

- Locations subject to large fluctuations in temperature or humidity
- Locations subject to shaking or vibration
- Locations where the floor is tilted, not level, or unstable
- Dusty locations
- Locations exposed to direct sunlight
- Locations near air-conditioning or heating equipment
- Locations exposed to water or moving air
- Locations exposed to considerable electrical or magnetic noise or other forms of electromagnetic energy

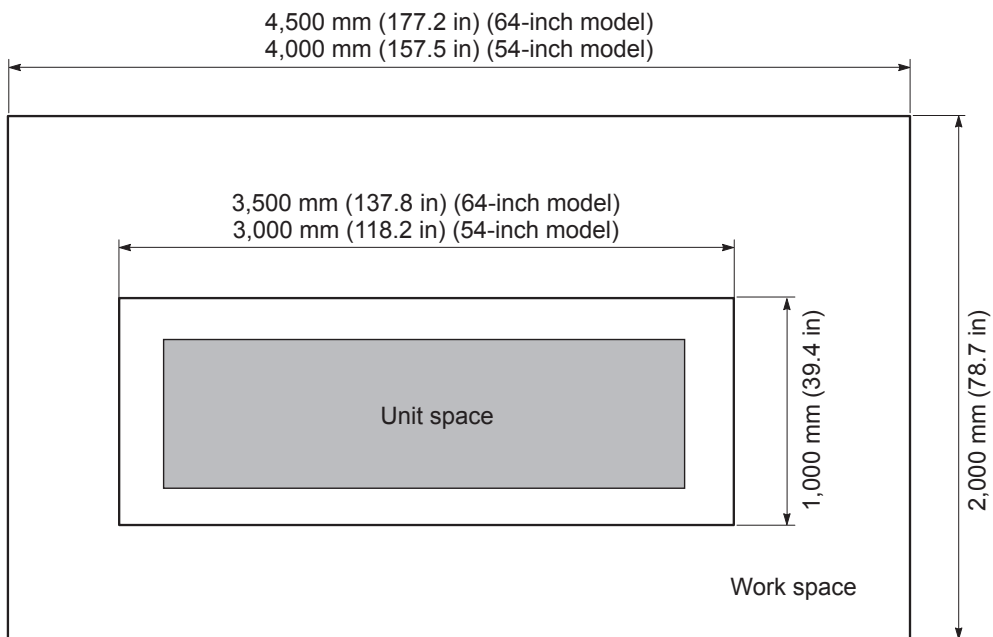
Temperature and Humidity

Maintain the specified temperature and humidity even when the machine is not in use. Failure to do so may result in malfunction.

During operation: Temperature 20 to 32°C (68 to 90°F), humidity: 35 to 80%RH (no condensation)
 During non-operation: Temperature 5 to 40°C (41 to 104°F), humidity: 20 to 80%RH (no condensation)

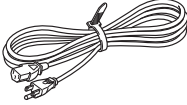
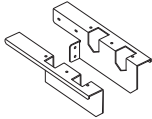
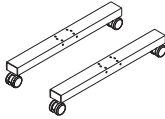
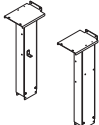
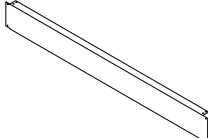
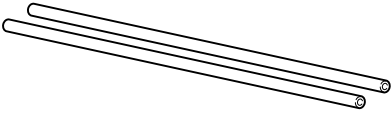
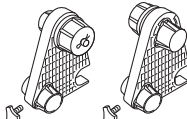
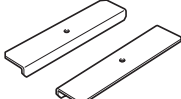

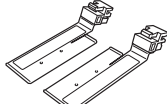
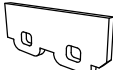
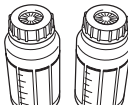


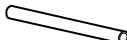
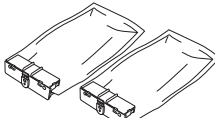
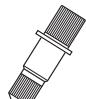


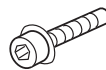
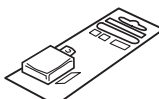



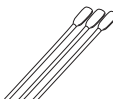

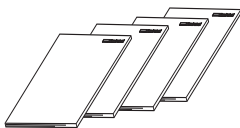
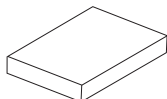
Installation Space

The space shown in the figure is required in order to use this machine.



2. Included Items

The following items are included with the machine. Make sure they are all present before proceeding.

 Power cord (1)	 Arms (1 each for right and left)	 Casters (2)	 Stand legs (1 each for right and left)	
 Stand stay (1)		 Shafts (2)		
 Media holders/retaining screws (1 each for right and left)	 Shaft clamps (2)	 Middle pinch rollers * ** (The quantity varies depending on the model.)	 Media clamps* (1 each for right and left)	
 Replacement wiper (1)	 Drain bottles (2)	 Tray pad (3)	 Hexagonal wrench (1)	 Pipe (1)
 TR cleaning liquid pouches (2)	 Blade holder (1)	 Blade (1)	 Pin (1)	 Bolts (40)
 Replacement blades for separating knife (1)	 Cable clamp (1)	 Tweezers (1)	 Cleaning liquid (1)	 Cleaning sticks
 Cartridge-slot label (for 4 colors) (2) ***	 Setup Guide (this document) (1) Read this first (1) User's Manual (1) Inkjet printer maintenance guide (1)	 Software RIP (1)		

* The media clamps and the middle pinch rollers are installed on the machine.

** (6) for the 64-inch model and (5) for the 54-inch model.

*** With the factory default settings, these labels are affixed to the platen at the location where the front cover opens.

3. Assembly and Ink Filling

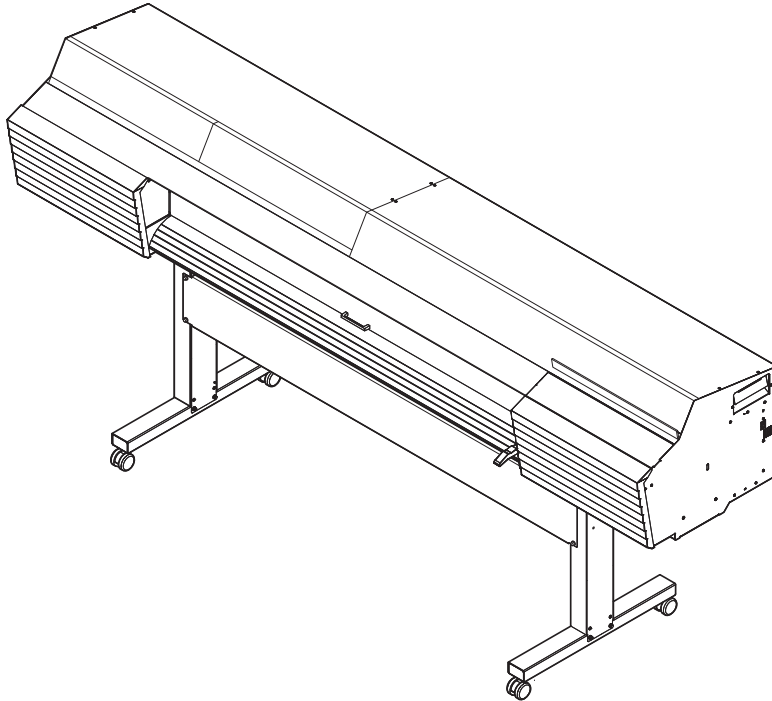
Checks before Operations

⚠ CAUTION

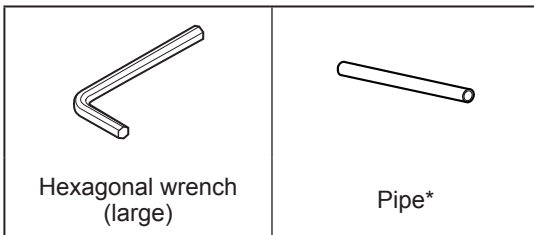
Unloading and emplacement are operations that must be performed by 8 persons or more.

Tasks that require undue effort when performed by a small number of persons may result in physical injury. Also, if dropped, such items may cause injury.

Completed Drawing



Necessary Tools



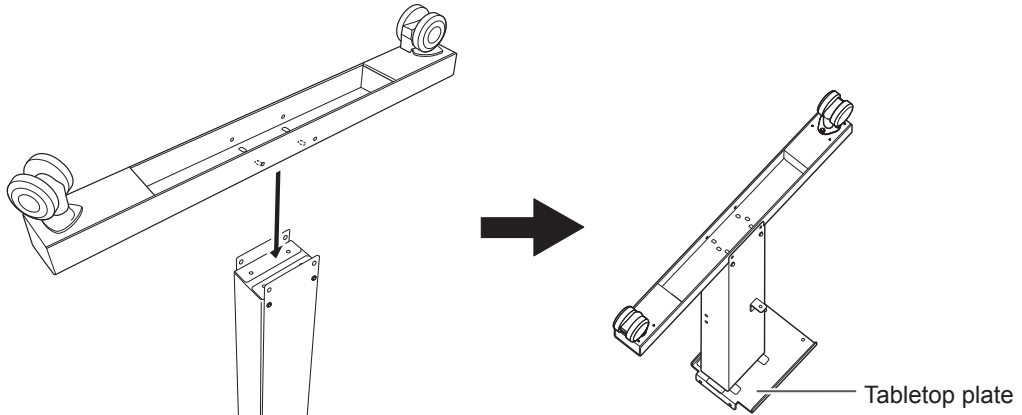
* Use this when the hexagonal wrenches are too small to easily tighten bolts.

Step 1 : Assembling the Stand and Attaching the Printer

Procedure

1 Place the caster on the stand leg.

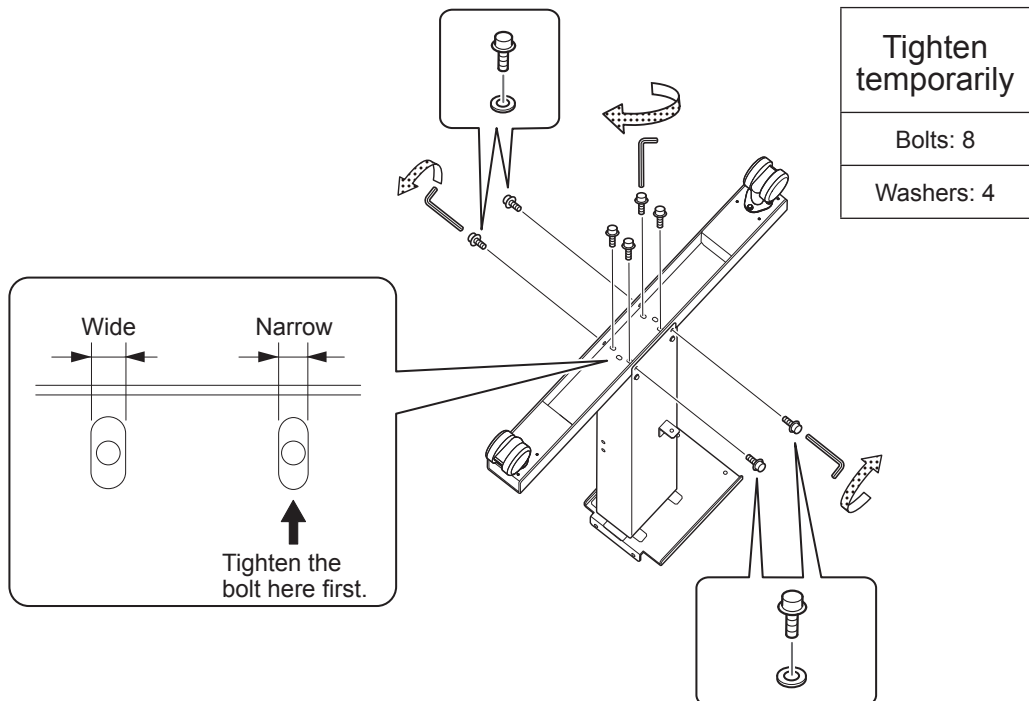
Place the stand leg with the tabletop plate facing down, and then place the caster on top of the stand leg. The casters have no particular front and rear orientation.



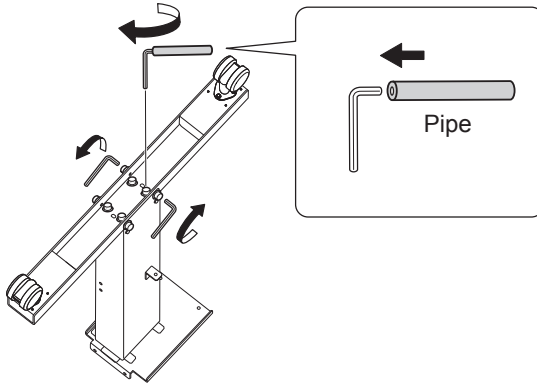
2 Lightly tighten the bolts in the 4 upper locations and then in the 4 locations on the sides.

For the 4 upper locations, first tighten the bolts in the narrow slots. In this way you can attach the caster in the correct position.

Use washers in the 4 locations on the sides.

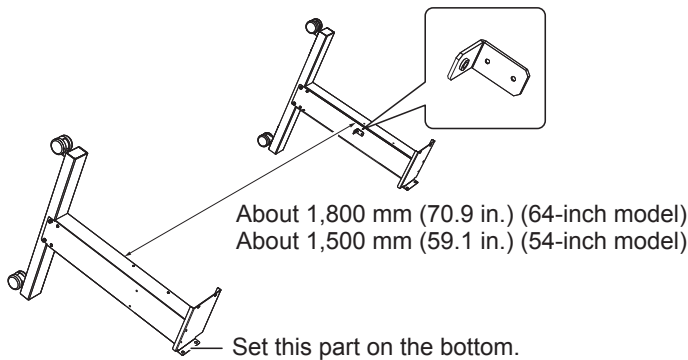


- 3 Fully tighten the bolts in the 4 upper locations and then in the 4 locations on the sides.** Use the pipe when tightening the bolts in the upper locations. When tightening the bolts fully, tighten them securely. Loose bolts may cause the stand to wobble.

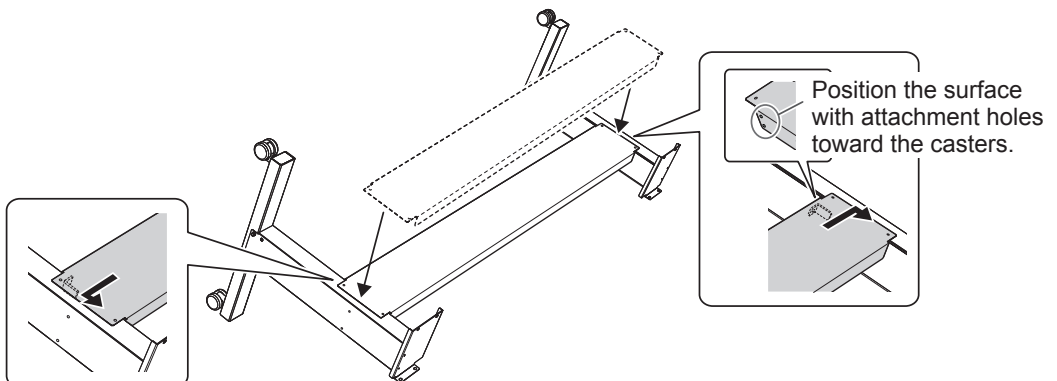


Tighten fully
Bolts: 8
Washers: 4

- 4 Assemble the opposing stand leg by following the same procedure from step 1 to step 3.**
- 5 Position the stand legs parallel to each other and separated by approximately 1,800 mm (70.9 in.) for the 64-inch model or approximately 1,500 mm (59.1 in.) for the 54-inch model.** Position the legs so that the L-shaped brackets face the inside and the bent side of the tabletop plate faces down for each leg.



- 6 Place the stand stay on the stand legs.** Place the stand stay so that its inside touches the L-shaped brackets and the stand legs in order to make the 2 stand legs parallel.

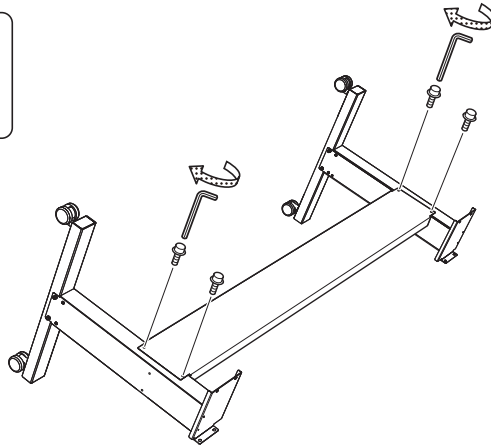
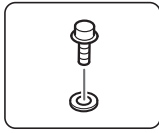


3. Assembly and Ink Filling

7 Lightly tighten the bolts in the order of ①, ②.

Use a washer for each bolt.

①

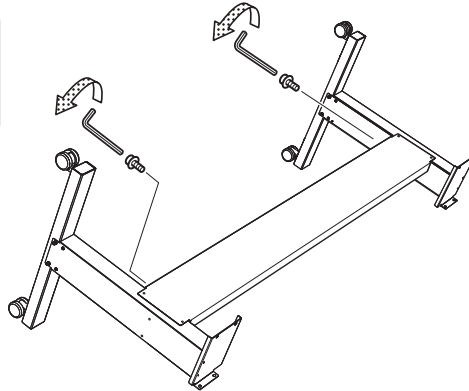
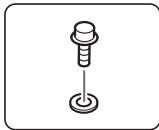


Tighten temporarily

Bolts: 6

Washers: 6

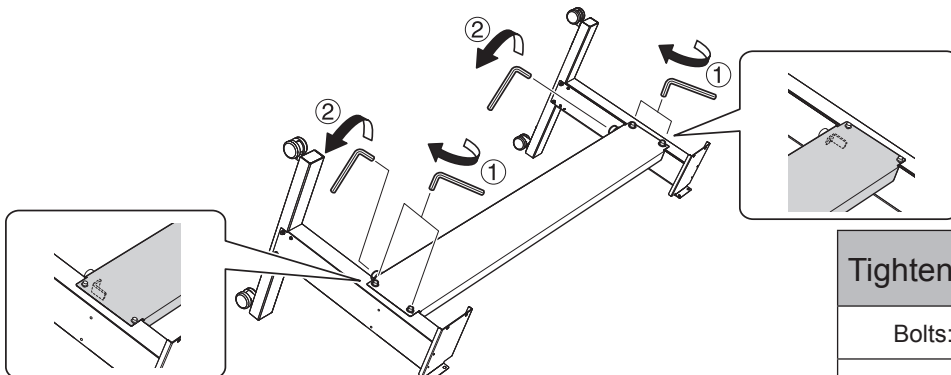
②



8 Fully tighten the bolts in the order of ①, ②.

Before tightening the bolts, check once more that the 2 stand legs are parallel. If the inside of the stand stay is touching the L-shaped brackets and the stand legs, the stand legs will be parallel.

When tightening the bolts fully, tighten them securely. Loose bolts may cause the stand to wobble.

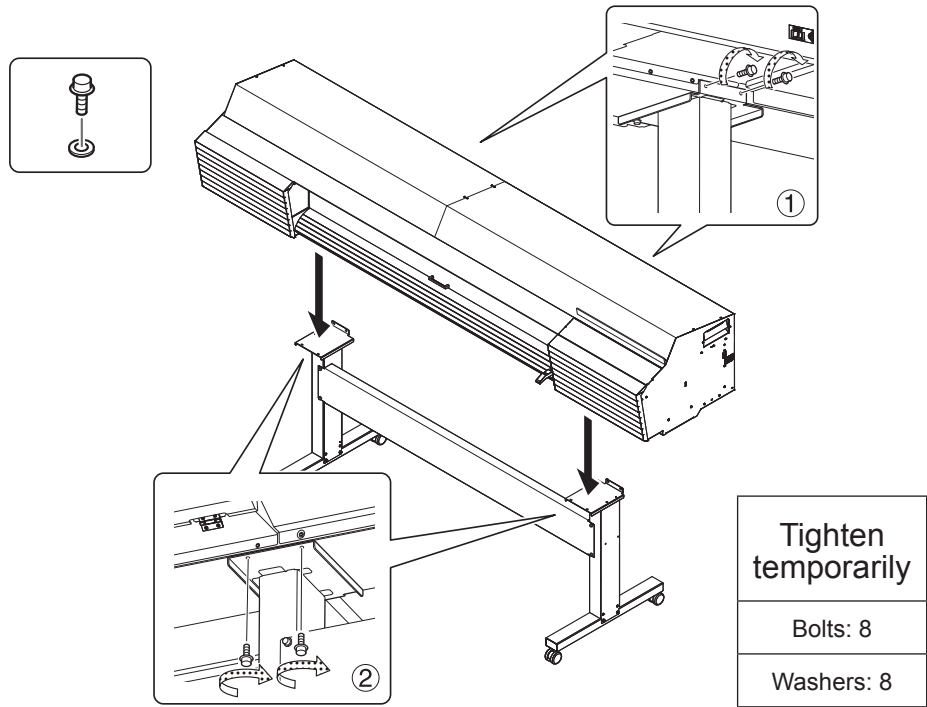


Tighten fully

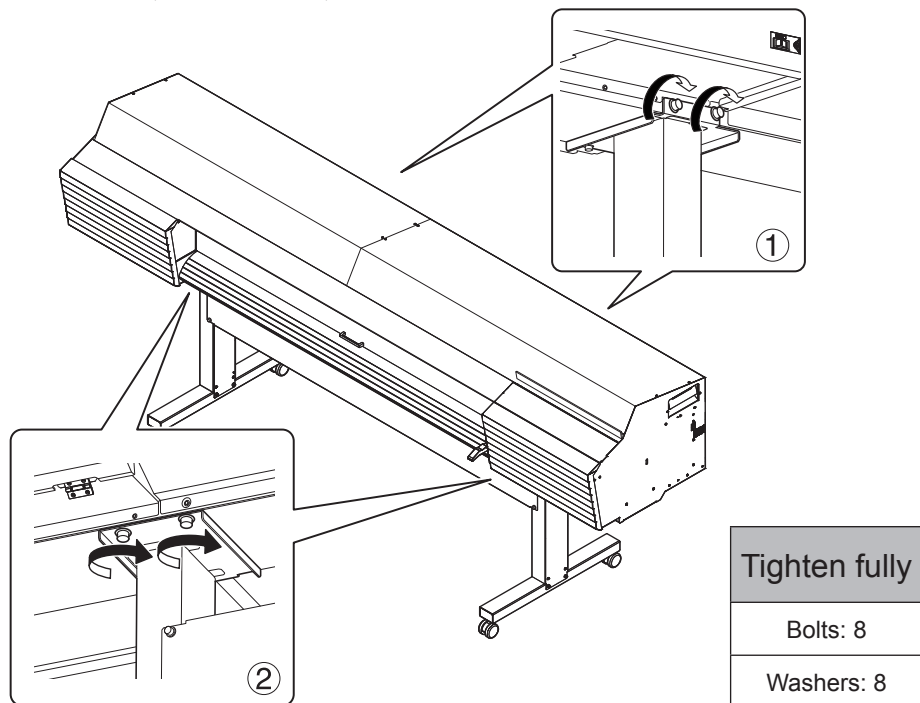
Bolts: 6

Washers: 6

- 9** Place the printer unit on the stand, and lightly tighten its bolts in the order of ①, ②. Set the assembled stand upright, and then fix the printer unit to it by tightening the bolts (8 locations in total). Use a washer for each bolt.



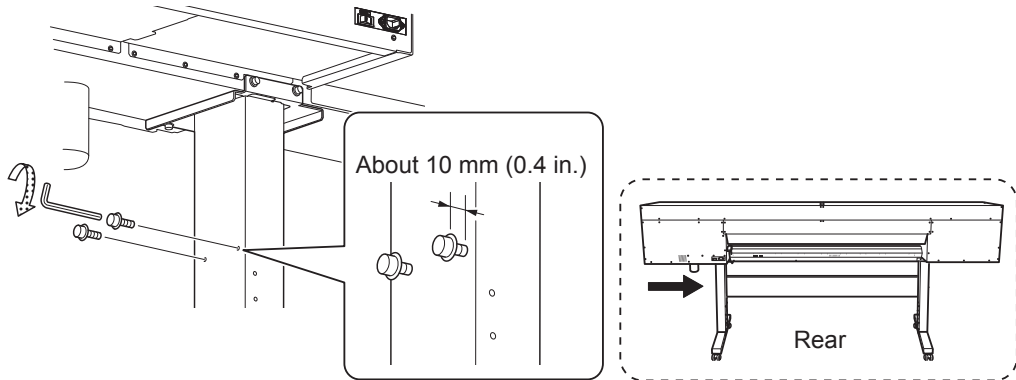
- 10** Fully tighten the bolts in the order of ①, ②. Tighten the bolts securely. Loose bolts may cause the stand to wobble.



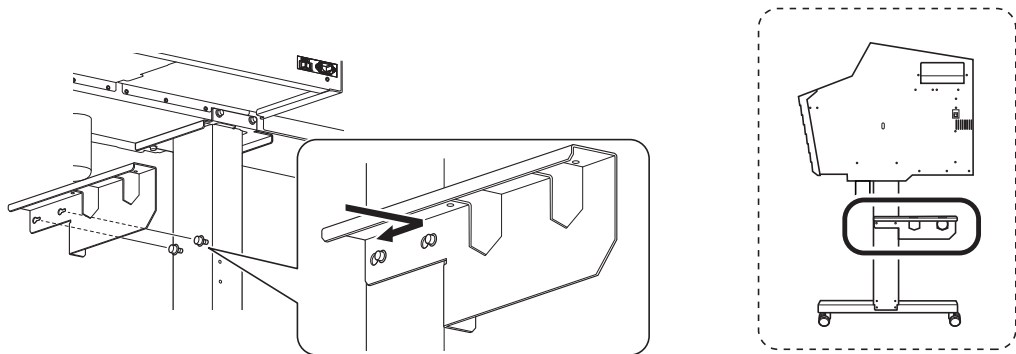
Step 2 : Installing the Media Holders

Procedure

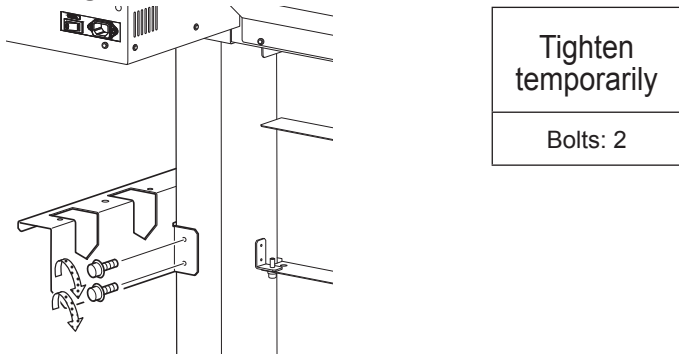
- 1 Lightly tighten the bolts on the left side of the stand as seen from the rear of the printer.**
Tighten the bolts in the holes on the left side of the stand until you can see approximately 10 mm (0.4 inches) of their threads.



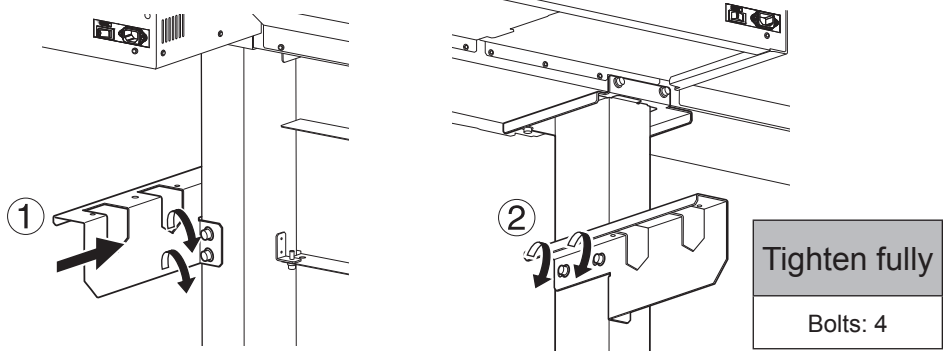
- 2 Attach the arm to the lightly tightened bolts.**



- 3 Lightly tighten the bolts connecting the rear of the stand to the arm's contact surface.**

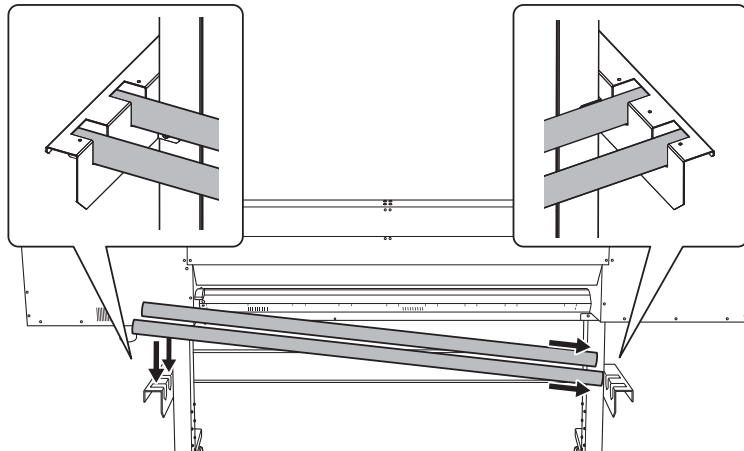


- 4** Fully tighten the bolts in the order of ① (stand rear), ② (stand side).

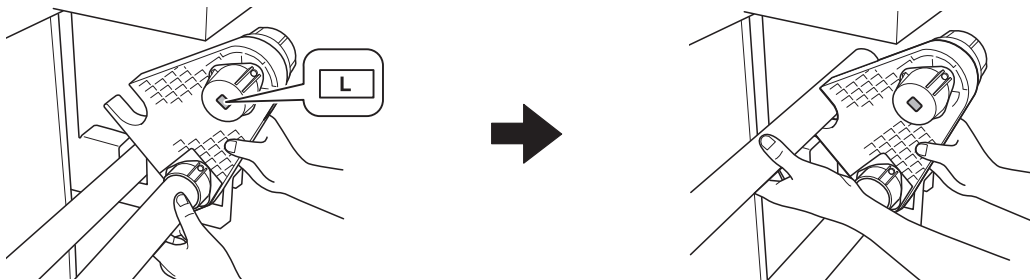


- 5** Attach the other arm to the right side as seen from the rear of the machine.

- 6** Place the shafts on the arms.



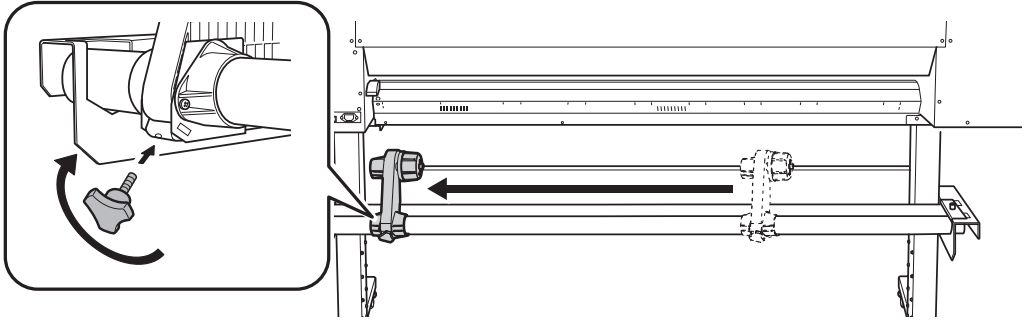
- 7** Pass the left media holder onto the shafts.
Pass it through from the right edge as seen from the rear of the machine.



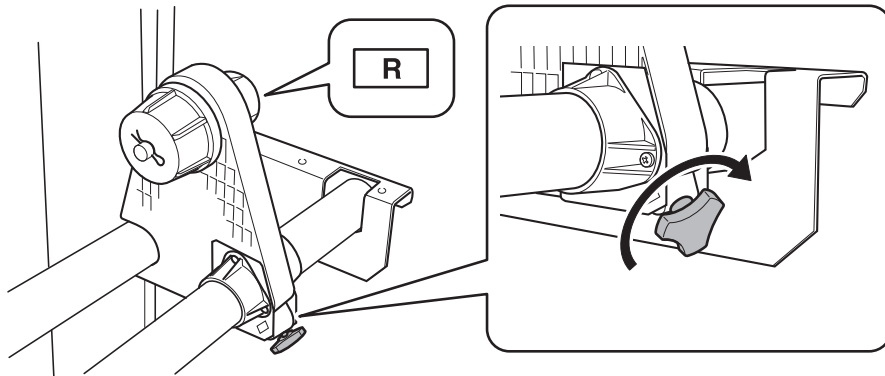
Pass the front shaft through the left media holder.

Catch the left media holder on the rear shaft.

- 8** Move the left media holder to the left side of the shafts, and then tighten the retaining screw.

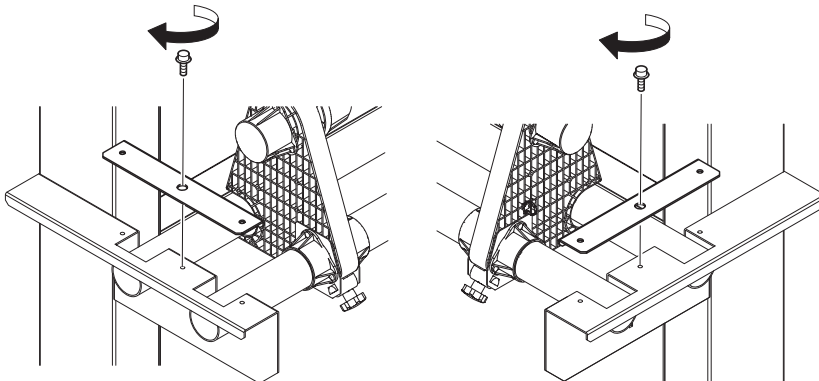


- 9** In the same manner, pass the right media holder onto the shafts, and then tighten the retaining screw.



- 10** Attach the shaft clamps to secure the shafts in place.

To ensure the media holders do not get caught in the shaft clamps, do not place the media holders too close to the edges.

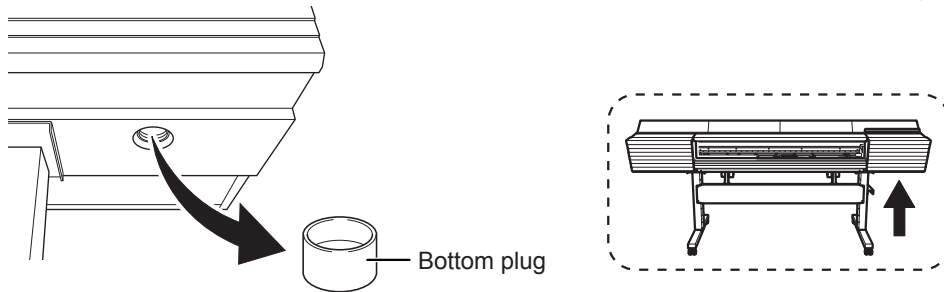


Step 3 : Installing the Drain Bottle

Procedure

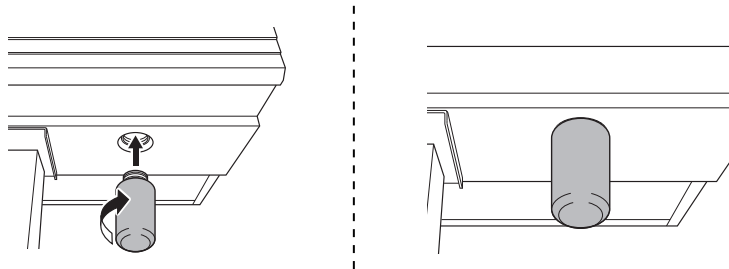
1 Remove the bottom plug.

Use caution, because discharged fluid used in the inspection when the printer was shipped may remain.



2 Install the drain bottle.

Screw the drain bottle into the hole where the bottom plug was attached. Use caution to turn the bottle without applying excessive force.



Leave the drain bottle attached at all times.

Only remove the drain bottle when you are disposing of the discharged fluid. Unnecessarily removing the drain bottle may lead to the discharged fluid spilling.

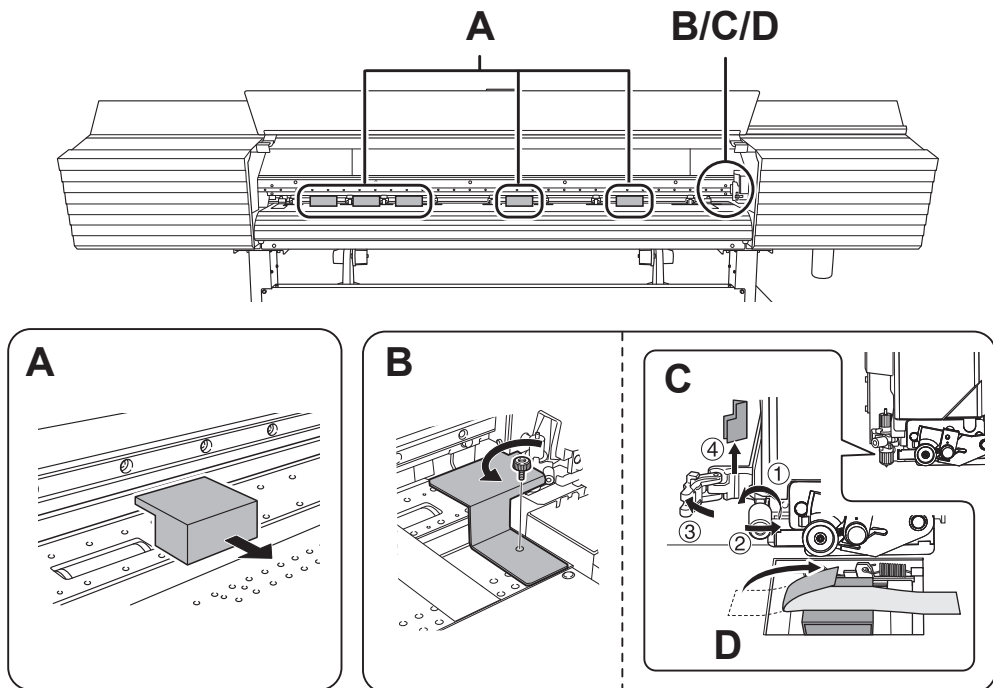
Step 4 : Removing the Retainers

IMPORTANT

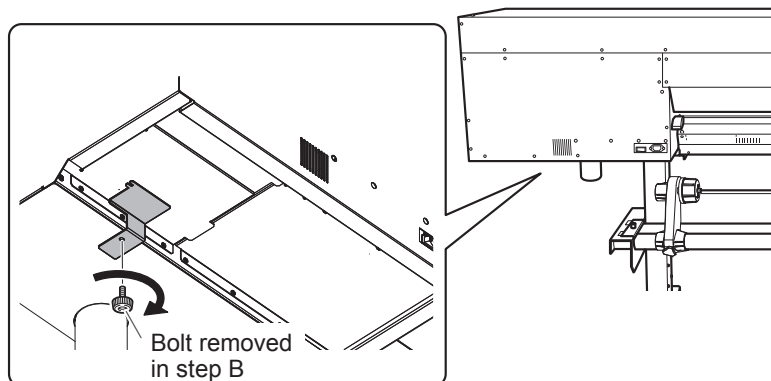
- Make sure to remove all the retainers. If any remain on the machine, faulty operation or breakdown may occur when the power is switched on.
- Store the retainers because they are needed again when transporting the machine.

Procedure

- 1 Remove all the retainers indicated by A, B, C and D.



- 2 Install the retainer indicated by B at the position indicated in the figure for storage.



Step 5 : Adjusting the Ink Tube and Affixing a Label (Only When Using Four Colors)

MEMO

This step is only required when using the machine with four colors: CMYK. If you are using the machine with seven or eight colors, proceed to "Step 6: Connecting the Cables."

About this procedure

This procedure must be performed by a suitably qualified service technician. Never attempt to perform this procedure yourself.

CAUTION

Leave this work to a suitably qualified worker.

This procedure includes work near sources of electrical danger and complex assembly work. Incorrect work may result in injury and mechanical malfunction.

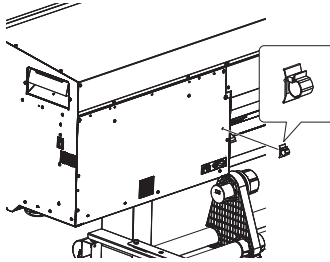
Items used in this procedure

Included Items	Cartridge-slot label (for 4 colors)
----------------	-------------------------------------

Step 6 : Connecting the Cables

Procedure

- 1 Insert the cable clamp.



- 2 Connect both the power cord and the Ethernet cable (commercially available).

Use a power plug adapter if the electrical outlet is a two-prong outlet.



WARNING

Perform this task with all power switches left switched off.

Failure to observe this instruction may cause the machine to move suddenly, resulting in injury.



WARNING

Connect the machine to an electrical outlet that complies with this machine's ratings (for voltage, frequency, and current).

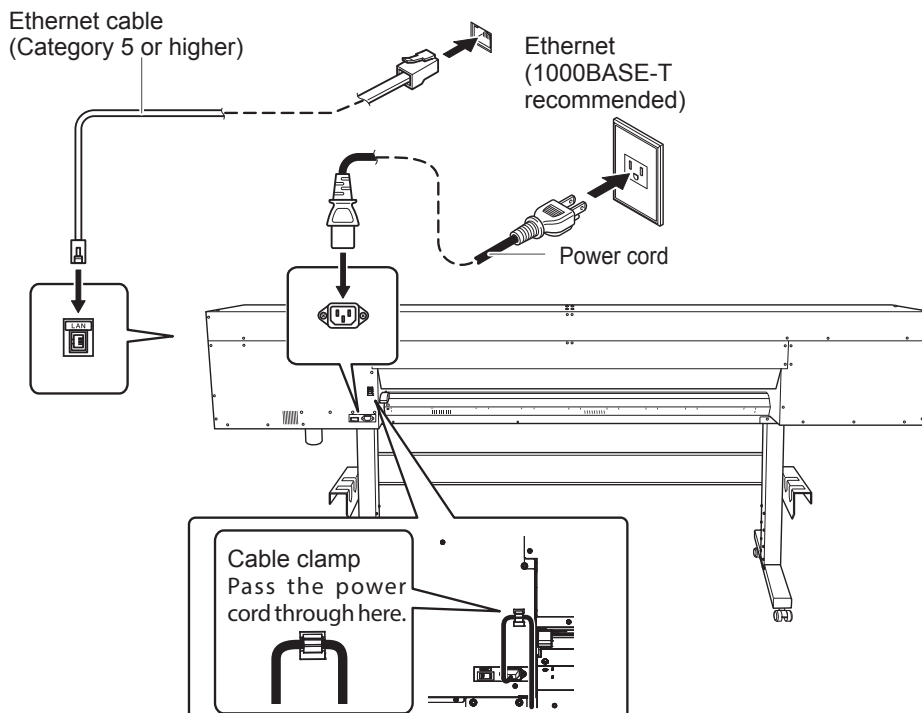
Incorrect voltage or insufficient current may cause fire or electrical shock.



WARNING

Connect the machine to ground.

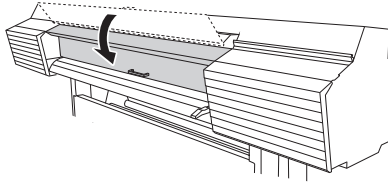
This can prevent fire or electrical shock due to current leakage in the event of a malfunction.



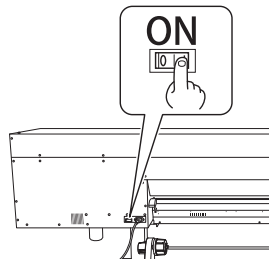
Step 7 : Initial Settings

Procedure

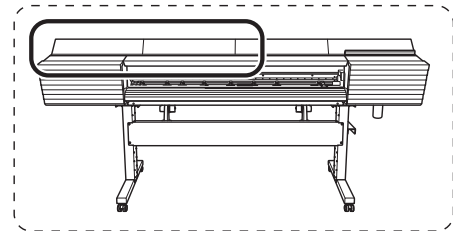
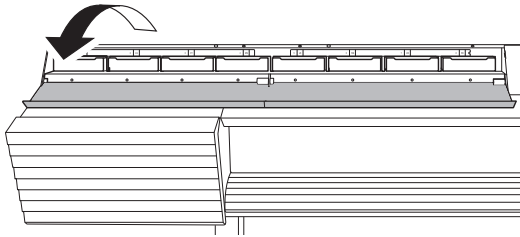
- 1 Close the front cover.



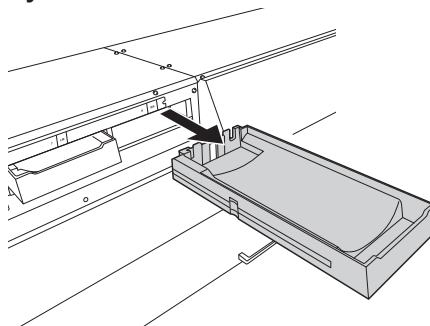
- 2 Switch on the main power switch.



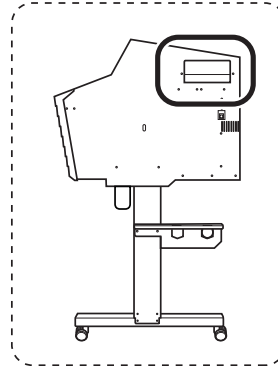
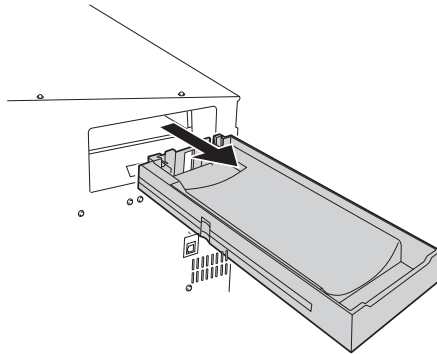
- 3 Open the ink slot cover.



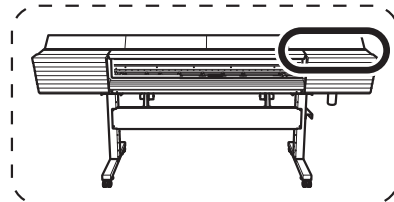
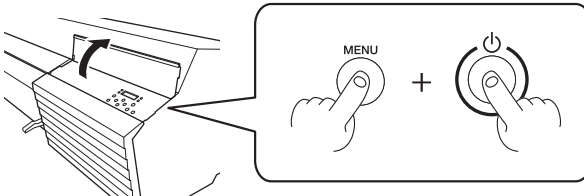
- 4 Remove all the pouch trays.



- 5 Remove the pouch tray from the cleaning liquid slot.



- 6 Open the panel cover, and then hold down [MENU] and press the sub power switch.



- 7 Press [▲] or [▼] to select the language you want, and then press [ENTER].



- 8 Press [▲] or [▼] to select the unit of measurement you want (for length), and then press [ENTER].



- 9 Press [▲] or [▼] to select the unit of measurement you want (for temperature), and then press [ENTER].



Step 8 : Ink Filling

IMPORTANT

First use cleaning liquid to clean the print heads, and then fill the printer with each color of ink.

- Be sure to use new TR cleaning liquid pouches and ink pouches.
- Never, under any circumstances, use anything other than the specified type of ink or cleaning liquid.
- TR cleaning liquid pouches (2) that are included with the machine is used on P. 20, "2. Clean the print heads using TR cleaning liquid."
- TR cleaning liquid pouch to be used on P. 24, "4. Fill the machine with TR cleaning liquid." is needed to be purchased separately. Purchase them from your authorized Roland DG Corp. dealer.

Items used in this procedure

Included Items	TR cleaning liquid pouches (2)
Items separately purchased	Ink pouches (each color), TR cleaning liquid pouches (1)

1. Select the ink type.

- 1 Press [▲] or [▼] to select the ink type, and then press [ENTER].



Select Ink Type	Cyan (C) Magenta (M) Yellow (Y) Black (K)	Light Cyan (Lc) Light Magenta (Lm) Light Black (Lk)
TrueVIS 7C	✓	✓
TrueVIS 4C	✓	

- 2 Press [←] or [→] to select [YES], and then press [ENTER].



If the ink type is incorrect, select [NO], press [ENTER], and redo the procedure 1.

- 3 Make sure the drain bottle is installed, and then press [ENTER].

☞ P. 13, "Step 3 : Installing the Drain Bottle"



3. Assembly and Ink Filling

The screen shown below appears, and then the machine starts the preparations for the ink filling. The remaining time for the procedure is displayed on the screen. (The display shown below is an example. "20:00" = "20 minutes and 00 seconds")

```
FILLING INK...
>>>>      20:00
```

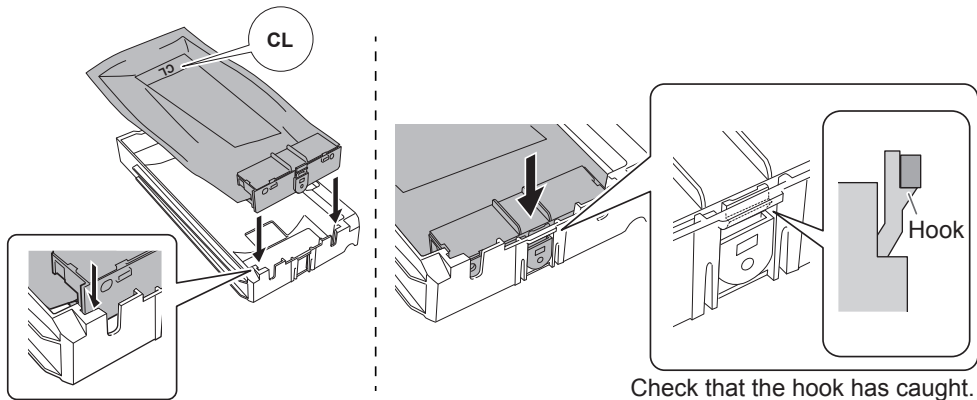
MEMO

If the screen shown below appears here, pouch trays remain in the ink slots and/or in the cleaning liquid slot. Remove all the pouch trays.

```
REMOVE CARTRIDGE
12345678
```

2. Clean the print heads using TR cleaning liquid.

1 Set the TR cleaning liquid pouch in the pouch tray.



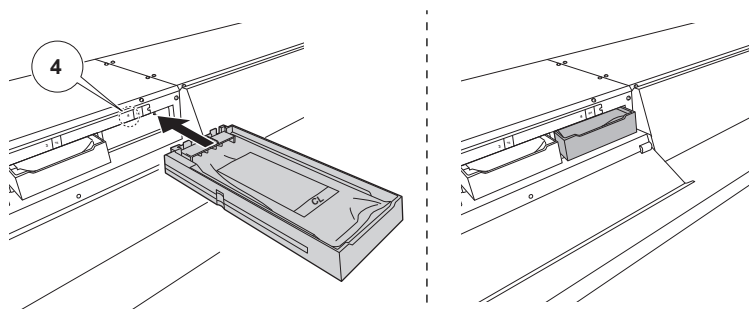
2 When the screen shown below appears, set the pouch tray in which you have set the TR cleaning liquid pouch in the slot whose number is displayed.

7 colors (CMYKLcLmLk)

4 colors (CMYK)

```
SET CL-LIQUID
  34
```

```
SET CL-LIQUID
  1 3
```



*The illustration shows the setting of the pouch tray when seven colors are used.

The screen shown below appears.

```
FILLING INK...
>>>>      XX:XX
```

- 3** When the screen shown below appears, remove the pouch tray from the slot whose number is displayed.

7 colors (CMYKLcLmLk)

4 colors (CMYK)

```
REMOVE CL-LIQUID
      34
```

```
REMOVE CL-LIQUID
      1 3
```

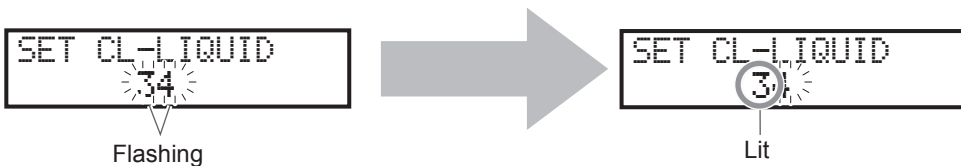
The screen shown below appears.

```
FILLING INK...
>>>>      XX:XX
```

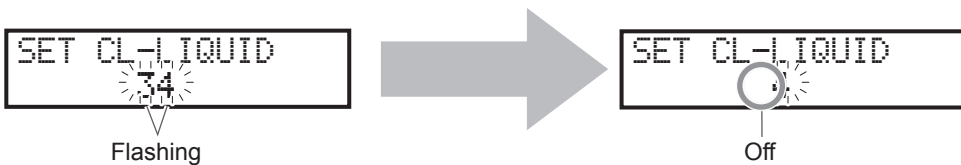
Hereafter, the same slot number flashes, and the screens shown in steps **2** and **3** are repeated. Follow the instructions on the screen to remove from and insert the pouch tray into the slot whose number is flashing.

MEMO

- **When setting the pouch tray:** When the pouch tray is set correctly, the number stops flashing and remains lit.



- **When removing the pouch tray:** When the pouch tray is removed correctly, the number stops flashing and turns off.



- 4** When the screen shown below appears, set the pouch tray in which you have set the TR cleaning liquid pouch in the slot whose number is displayed.

7 colors (CMYKLcLmLk)

4 colors (CMYK)

```
SET CL-LIQUID
      78
```

```
SET CL-LIQUID
      2 4
```

Repeat the "SET" and "REMOVE" operations multiple times in the same manner as steps **2** and **3**.

- 5 If the following message is displayed partway through the operation, remove the drain bottle and discard the discharged fluid.



EMPTY
DRAIN BOTTLE↵

⚠ CAUTION

Before you detach the drain bottle, be sure to wait for the screen to display [EMPTY DRAIN BOTTLE]. After discarding the discharged fluid, promptly attach the drain bottle to the machine.

Failing to follow this procedure may cause discharged fluid to flow out of the machine and spill, soiling your hands or the floor.

⚠ WARNING

Never place discharged fluid or ink near an open flame. Doing so may cause a fire.

⚠ CAUTION

To store discharged fluid temporarily, place it in the included drain bottle or in a durable sealed container such as a metal can or polyethylene tank, and cap the container tightly.

Any spillage or vapor leakage may cause a fire, an odor, or physical distress.

Dispose of discharged fluid properly, in accordance with the laws in effect in your locale.

Discharged fluid is flammable and contains toxic ingredients. Never attempt to incinerate discharged fluid or discard it with ordinary trash. Also, do not dispose of it in sewer systems, rivers, or streams. Doing so may have an adverse impact on the environment.

- 6 Quickly attach the emptied drain bottle to the machine once more.

- 7 Press [ENTER].

- 8 When the screen shown below appears, set the pouch tray in which you have set the TR cleaning liquid pouch in the slot whose number is displayed.

7 colors (CMYKLcLmLk)

4 colors (CMYK)



SET CL-LIQUID
12



SET CL-LIQUID
6 8

Repeat the "SET" and "REMOVE" operations multiple times in the same manner as steps 2 and 3.

- 9 When the screen shown below appears, set the pouch tray in which you have set the TR cleaning liquid pouch in the slot whose number is displayed.

7 colors (CMYKLcLmLk)

4 colors (CMYK)



SET CL-LIQUID
45



SET CL-LIQUID
5 7

Repeat the "SET" and "REMOVE" operations multiple times in the same manner as steps 2 and 3.

3. Fill the machine with ink.

- 1 When the screen shown below appears, remove the drain bottle and discard the discharged fluid.



EMPTY
DRAIN BOTTLE↔

⚠ CAUTION

Before you detach the drain bottle, be sure to wait for the screen to display "EMPTY DRAIN BOTTLE." After discarding the discharged fluid, promptly attach the drain bottle to the machine.

Failing to follow this procedure may cause discharged fluid to flow out of the tube and spill, soiling your hands or the floor.

⚠ WARNING

Never place discharged fluid or ink near an open flame.

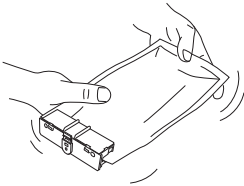
Doing so may cause a fire.

⚠ CAUTION

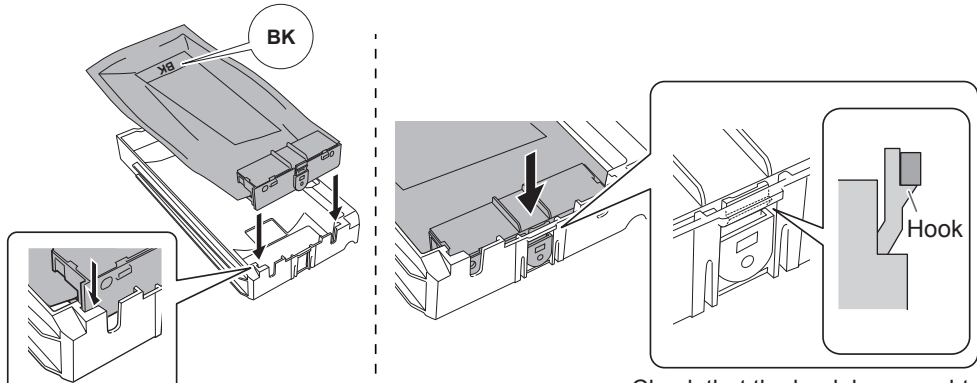
To store discharged fluid temporarily, place it in the included drain bottle or in a durable sealed container such as a metal can or polyethylene tank, and cap the container tightly.

Any spillage or vapor leakage may cause a fire, an odor, or physical distress.

- 2 Quickly attach the emptied drain bottle to the machine once more.
- 3 Press [ENTER].
- 4 Gently shake the ink pouch for each color.



- 5 Set the ink pouch for each color and the TR cleaning liquid pouch in the pouch trays. Also use two pouch trays in which you have used in procedure 2. Remove the TR cleaning liquid pouch, and then insert the ink pouch.



Check that the hook has caught.

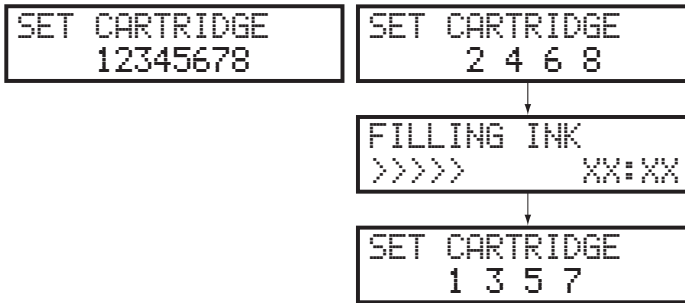
3. Assembly and Ink Filling

- 6** When the screen shown below appears, set the pouch tray in which you have set an ink pouch in the ink slot whose number is flashing.

When using four colors (CMYK), set the pouch trays in the "2, 4, 6, 8" ink slots. Then, when "1, 3, 5, 7" is displayed, set the remaining pouch trays in the remaining ink slots.

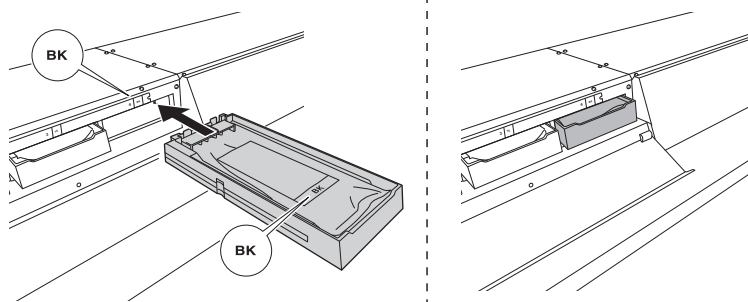
7 colors (CMYKcLmLk)

4 colors (CMYK)



IMPORTANT

Check the color names indicated on the ink slots and the ink pouches to set all the pouch trays in their correct positions. Insert the pouch trays as far as they will go.



*The illustration shows the setting of the pouch tray when seven colors are used.

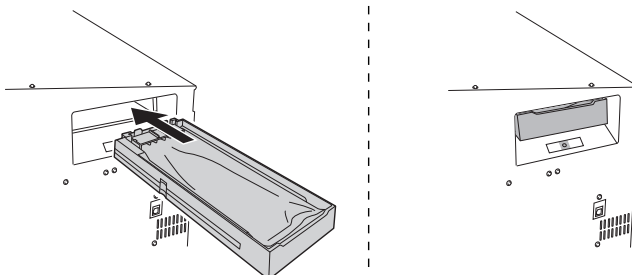
4. Fill the machine with TR cleaning liquid.

- 1** When the screen shown below appears, set the pouch tray in which you have set the TR cleaning liquid pouch in the cleaning liquid slot.

Insert the pouch trays as far as they will go.



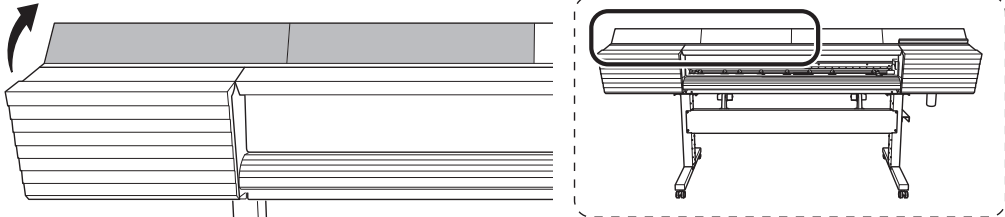
* "CL-LIQUID FOR WIPER" represents the TR cleaning liquid.



The screen shown below appears.

```
FILLING INK...
>>>>          XX:XX
```

- 2** Close the ink slot cover.



- 3** When the screen shown below appears, remove the drain bottle and discard the discharged fluid.

```
EMPTY
DRAIN BOTTLE↵
```

⚠ CAUTION

Before you detach the drain bottle, be sure to wait for the screen to display "EMPTY DRAIN BOTTLE." After discarding the discharged fluid, promptly attach the drain bottle to the machine.

Failing to follow this procedure may cause discharged fluid to flow out of the tube and spill, soiling your hands or the floor.

⚠ WARNING

Never place discharged fluid or ink near an open flame.

Doing so may cause a fire.

⚠ CAUTION

To store discharged fluid temporarily, place it in the included drain bottle or in a durable sealed container such as a metal can or polyethylene tank, and cap the container tightly.

Any spillage or vapor leakage may cause a fire, an odor, or physical distress.

- 4** Quickly attach the emptied drain bottle to the machine once more.

MEMO

When using four colors (CMYK), repeat steps **3** and **4** twice.

- 5** Press [ENTER].

When the screen shown in the figure appears, filling with ink is finished.

```
SETUP SHEET
```

4. Installing the Cutting Tool

⚠ CAUTION

Be sure to perform operations as specified by the instructions, and never touch any area not specified in the instructions.

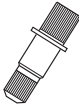


Failure to observe these instructions may cause the machine to move suddenly, resulting in injury.

⚠ CAUTION

Never touch the tip of the blade.

Doing so may result in injury. The cutting performance of the blade will also be impaired.

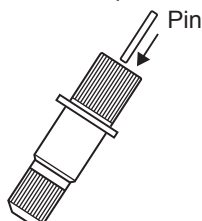
Step 1 : Assembling the Cutting Tool

Required items		
		
Blade holder	Blade	Pin

Procedure

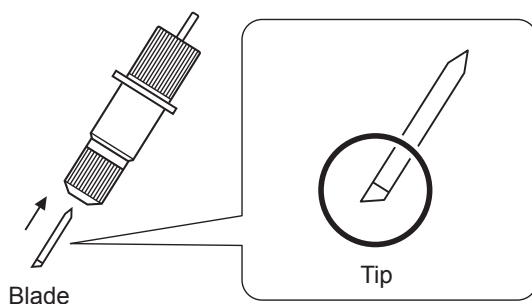
1 Insert the pin.

Insert the pin to the position where its end sticks out about 3 to 5 millimeters.



2 Insert the blade.

Insert the blade into the hole.



Step 2 : Installing the Cutting Tool

1. Enter "REPLACE KNIFE" menu.

1 Press [MENU].

2 Press [▼] several times to display the screen shown below.

```
MENU      ◀◀
SUB MENU  ▶
```

3 Press [▶] once, and then press [▼] several times to display the screen shown below.

```
SUB MENU  ◀◀
MAINTENANCE ▶
```

4 Press [▶] once, and then press [▼] several times to display the screen shown below.

```
MAINTENANCE ◀◀
REPLACE KNIFE ↵
```

5 Press [ENTER].

The cutting carriage moves to a position where the blade can be replaced.

6 When the following screen is displayed, open the front cover.

```
OPEN FRONT
          COVER
```

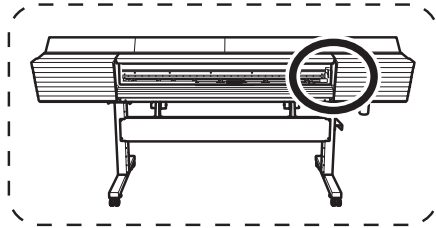
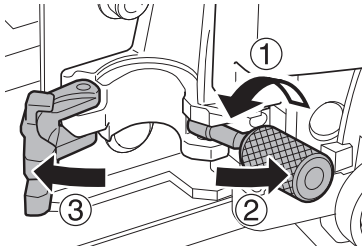
Preparations are complete when this screen appears.

```
FINISHED?
          ↵
```

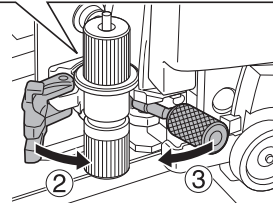
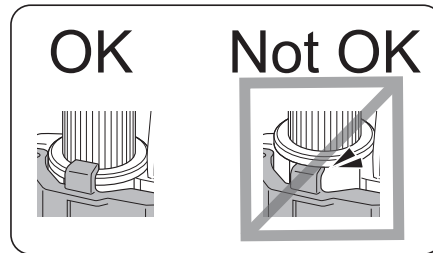
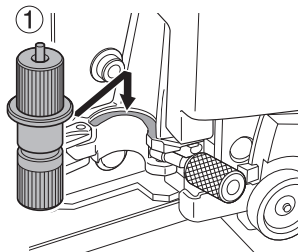
4. Installing the Cutting Tool

2. Install the cutting tool.

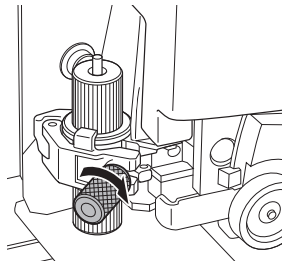
- 1 Loosen the cutting carriage screw.



- 2 Install the cutting tool in the cutting carriage.



- 3 Tighten the screw.



- 4 Close the front cover.

- 5 Press [ENTER].

Important note on the handling and use of the cutting carriage

Leave the cutting-carriage screw loose when no cutting tool is installed. Keeping the screw firmly tightened causes the cutting tool insertion hole to become gradually smaller, making installation difficult.

5. Network Settings

The examples used in the procedures for making the settings described in this section assume you are using one computer and one machine. The settings used in this section are merely example settings. The procedures and setting values described here may not be suitable for all operating environments.

If the computer you're using is connected to a number of networked devices or to the Internet, incorrect settings may adversely affect the entire network. For detailed information about the settings, consult your network administrator.

Step 1 : Make the Network Settings for the Computer

Procedure

- 1** Log on to Windows as the "Administrator" or a member of the "Administrators" group.
- 2** Windows 10:
From the [Start] menu, click [Set], and then click [Network and Internet].
Click [Network and Sharing Center].
Click [Ethernet] or [Wi-Fi].

Windows 8.1:
From the [Start] menu, click [PC settings], and then click [Control Panel].
Click [Network and Internet], and then click [Network and Sharing Center].
Click [Ethernet] or [Wi-Fi].

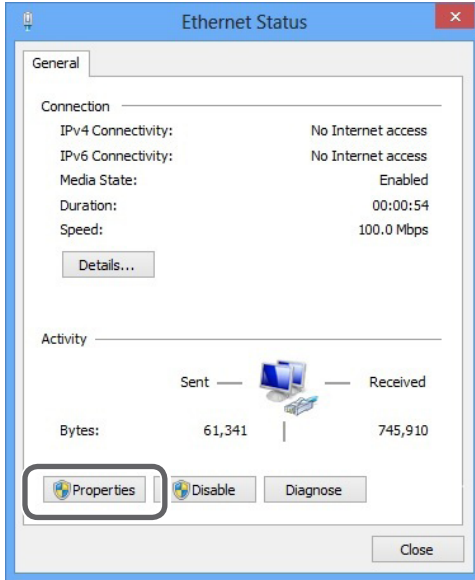
Windows 7:
From the [Start] menu, click [Control Panel].
Click [Network and Internet], and then click [Network and Sharing Center].
Click [Local Area Connection] or [Wireless Network Connection].

5. Network Settings

3 Click [Properties].

The [Ethernet Properties] dialog box appears. (On Windows 7, the [Local Area Connection Status] dialog box appears.)

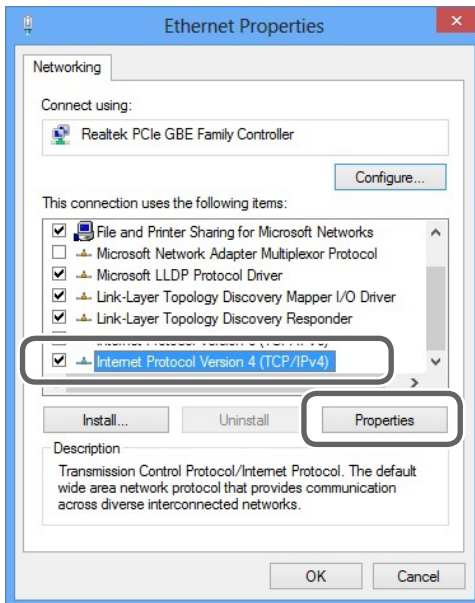
If the [User Account Control] dialog box appears, click [Continue].



4 Select [Internet Protocol Version 4 (TCP/IPv4)], and then click [Properties].

If the [Internet Protocol] check box is clear, select it.

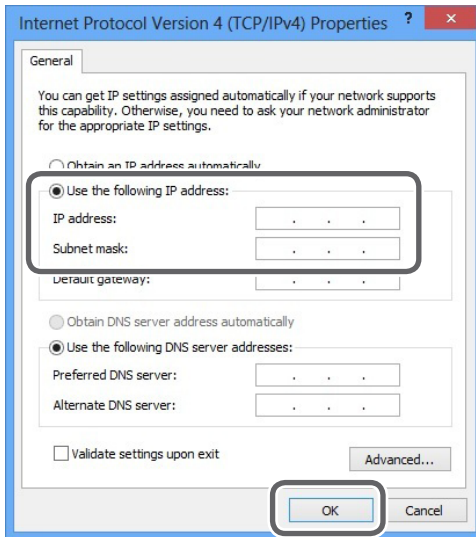
The [Internet Protocol Version 4 (TCP/IPv4) Properties] dialog box appears.



- 5 Select [Use the following IP address]. Enter the information as shown below, and then click [OK].

Item	Address to enter
IP address	192.168.0.XXX
Subnet mask	255.255.255.0

Here, "XXX" can be any number from 1 to 254. However, be sure to specify a number that is different from the numbers used for other computers and devices.



- 6 Click [OK] in the [Internet Protocol Version 4 (TCP/IPv4) Properties] dialog box, click [Close] in the [Ethernet Properties] dialog box (the [Local Area Connection Properties] dialog box on Windows 7), and then click [Close] in the [Ethernet Status] dialog box (the [Local Area Connection Status] dialog box on Windows 7).

Step 2 : Make the Network Settings on the Printer

1. Set the IP address.

- 1 Press [MENU].

- 2 Press [v] several times to display the screen shown below.

```
MENU          ◀▶
SYSTEM INFO.  ▶
```

- 3 Press [▶] once, and then press [v] several times to display the screen shown below.

```
SYSTEM INFO.  ◀▶
NETWORK       ▶
```

- 4** Press **[>]** 3 times to display the screen shown below.

```
IP ADDRESS  <◆>
000.000.000.000↓
```

- 5** Press **[▲]** or **[▼]** to select the address number.

- 6** Press **[>]**.

- 7** Repeat **5** and **6** to set **[IP ADDRESS]** (**192.168.000.XXX**).

Here, "XXX" can be any number from 001 to 254. However, be sure to specify a number that is different from the setting you made in Step 1 and from the numbers used for other computers and devices.

For the part corresponding to "192.168.000," apply the same value as the setting of your computer.

Here, "192.168.000.003" is entered by way of example.

```
IP ADDRESS  <◆>
192.168.000.003↓
```

- 8** When you have finished making the setting, press **[ENTER]**.

- 9** Press **[←]** to go back to the screen shown below.

```
NETWORK    <◆>
IP ADDRESS  >
```

2. Set the subnet mask.

- 1** Press **[▼]** to display the screen shown below.

```
NETWORK    <◆>
SUBNET MASK >
```

- 2** Press **[>]** twice to display the screen shown below.

```
SUBNET MASK <◆>
000.000.000.000↓
```

- 3** Press **[▲]** or **[▼]** to select the address number.

- 4** Press **[>]**.

- 5** Repeat **3** and **4** to set **[SUBNET MASK]** to **"255.255.255.000."**

For the subnet mask, make the setting the same value as the one used by the computer. Here, "255.255.255.000" is entered by way of example.

```
SUBNET MASK <◆>
255.255.255.000↓
```

6 When you have finished making the setting, press [ENTER].

7 Press [←] to go back to the screen shown below.

```
NETWORK      ◀▶
SUBNET MASK  ▶
```

If you are using the computer and the machine on a one-to-one basis, this completes the settings to make on the printer.

Press [MENU] to go back to the original screen. Then, proceed to "Step 3 : Make the Port Settings for the Software RIP" (P. 34).

If you need to set the gateway address, proceed to the following procedure.

3. Set the gateway address.

1 Press [▼] to display the screen shown below.

```
NETWORK      ◀▶
GATEWAY ADDR. ▶
```

2 Press [▶] twice to display the screen shown below.

```
GATEWAY ADDR. ◀▶▶
000.000.000.000↓
```

3 Press [▲] or [▼] to select the address number.

4 Press [▶].

5 Repeat 3 and 4 to set [GATEWAY ADDR.] to "255.255.255.255."

For the value to enter for the gateway address, consult your network administrator. Here, "255.255.255.255" is entered by way of example.

```
GATEWAY ADDR. ◀▶▶
255.255.255.255↓
```

6 When you have finished making the setting, press [ENTER].

7 Press [MENU], to go back to the original screen.

Step 3 : Make the Port Settings for the Software RIP

The settings for the software RIP will be made here. For information about how to make the settings, refer to the documentation of the instructions for the software RIP.

Confirming that a network connection has been established

Roland VersaWorks Dual (hereinafter referred to as "VersaWorks Dual")

You can use the printing-test feature to check whether the connection to the network has been established. For information about how to carry out a printing test, refer to the documentation for VersaWorks Dual.

Other software RIP

Refer to the documentation for the software RIP you are using.

