

4-3 FIRMWARE UPGRADE (Referential Time : 10min.)

Revised 3



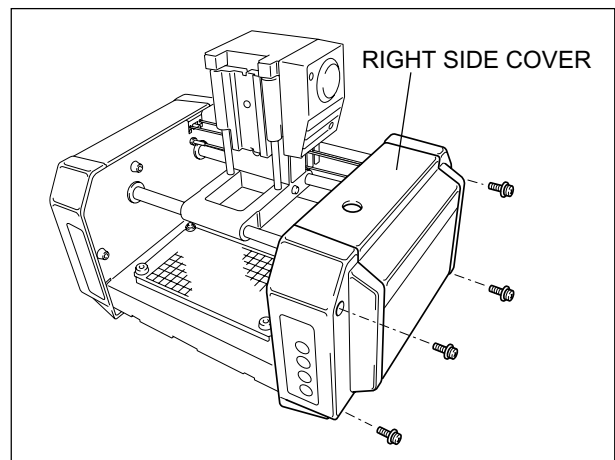
In order to upgrade the Firmware, it is required the MAIN BOARD with 2 JUMPER SWITCHES.

If you upgrade the Firmware on MDX-15, please make sure that the MAIN BOARD is ver.1.3 and above.

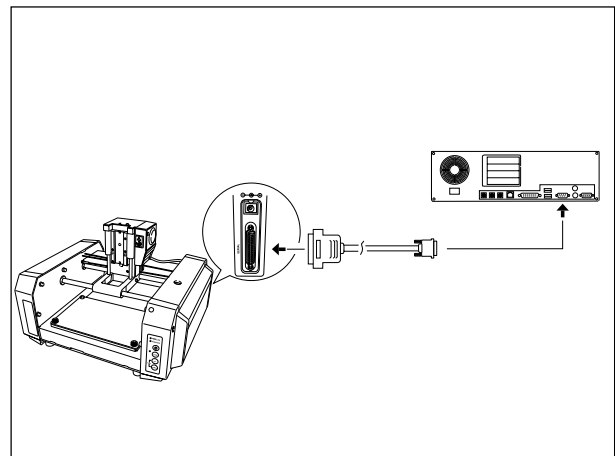
In case of MDX-20, the MAIN BOARD has 2 JUMPER SWITCHES from ver. 1.0.

4

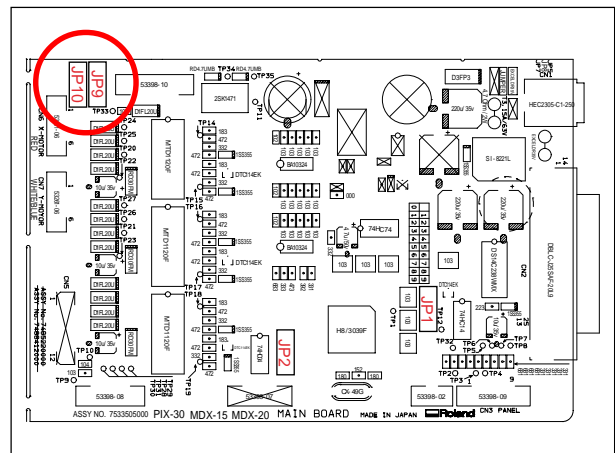
- 1** Remove the RIGHT SIDE COVER.
(W-SEMS M3X8BC 4pcs.)



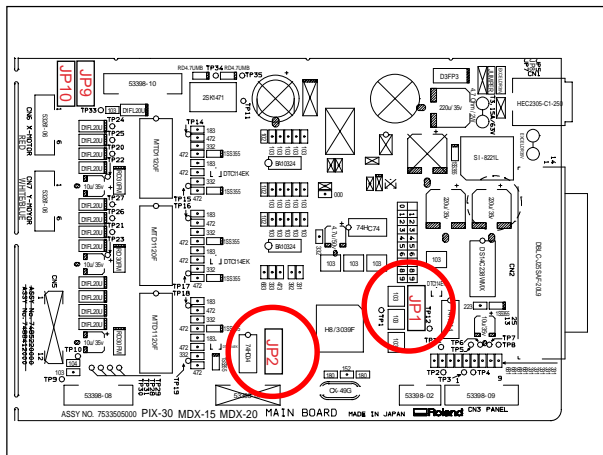
- 2** Connect the PC and the machine with a SERIAL CABLE.



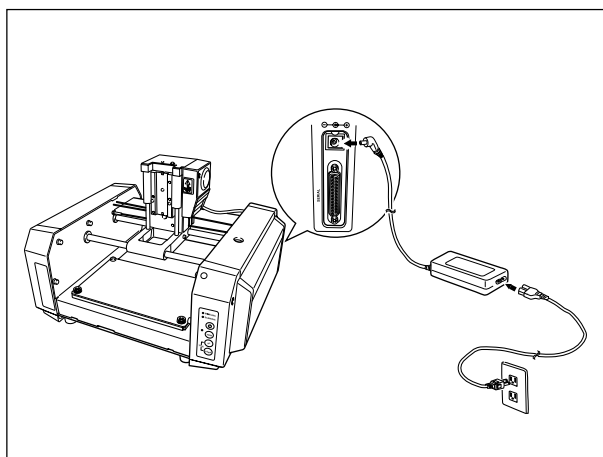
- 3** Unplug 2 JUMPER SWITCHES from JP9 and JP10 on the MAIN BOARD.



4 Put the 2 JUMPER SWITCHes on JP1 and JP2.

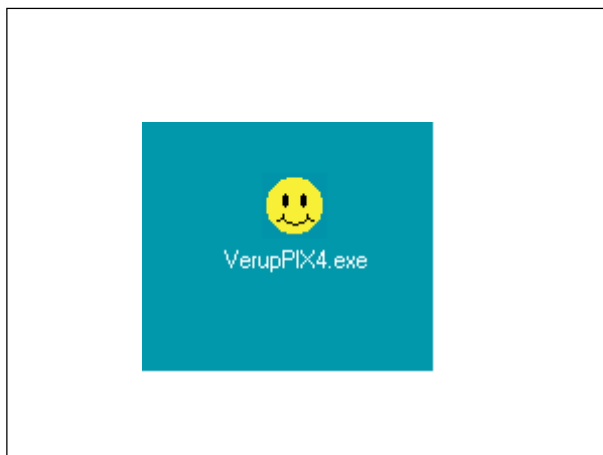


5 Connect the AC ADAPTER to the machine.



4

6 Start the VerupPIX4.exe file inside the Firmware Disk.
The dialog appears.

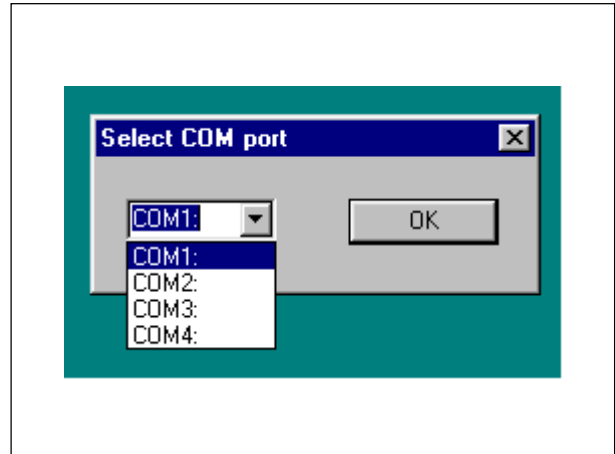


7 Double-click with the Right Mouse Button on the dialog.
And click [Select Port].



4 Adjustment

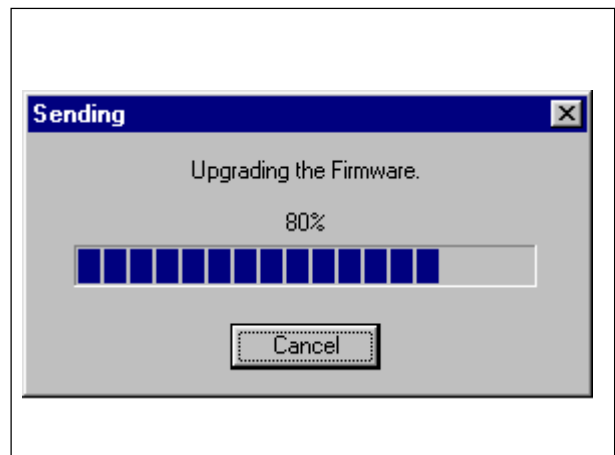
8 Select the right Port and click [OK].



4 **9** Double-click with the Right Mouse Button on the dialog. And click [Send Firmware].

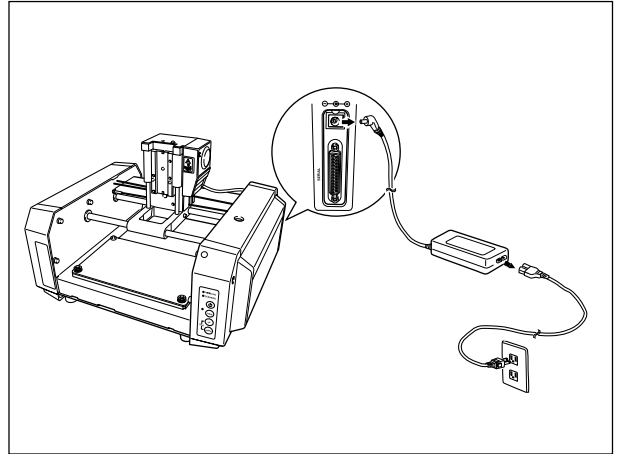


10 The Firmware will be sent to the machine.



11 All LEDs start blinking when upgrading is completed.
If no LED blinks, upgrading has failed.
Try it again.

12 Remove the AC ADAPTER.



13 Put back the 2 JUMPER SWITCHes from JP1 and JP2 to JP9 and JP10.

