

SJ-740/540 FJ-540



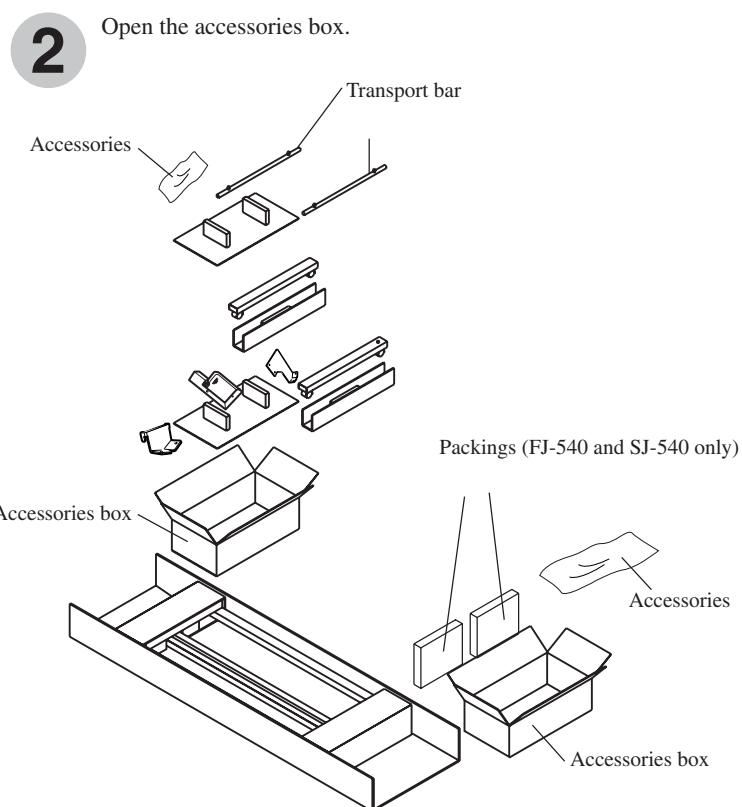
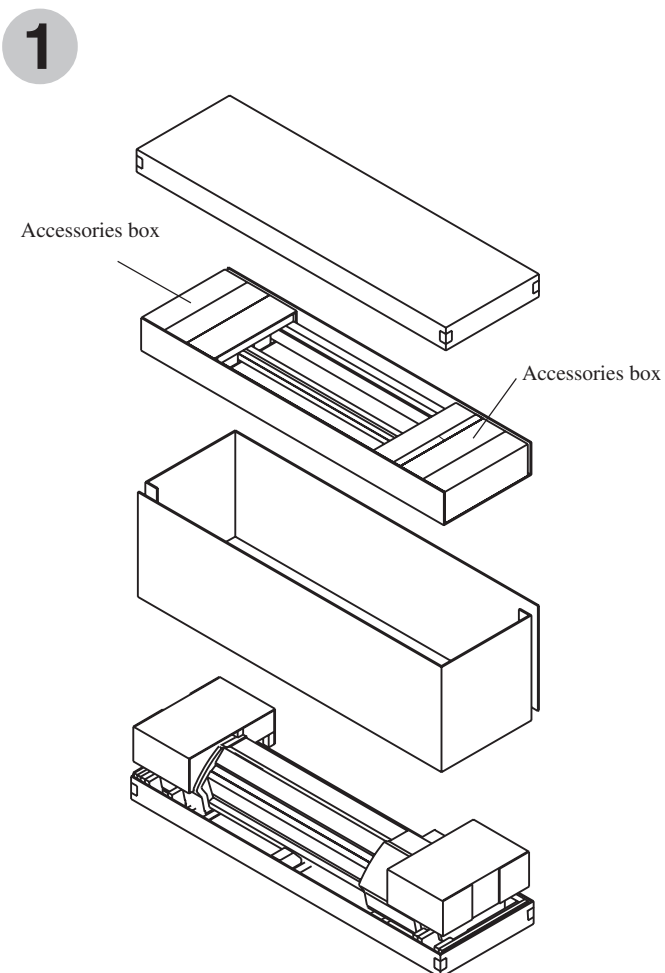
Unpacking and Repacking

CAUTION Unpacking, and installation must be carried out by four or more persons.
Failure to do so may result in dropping the unit, leading to injury.

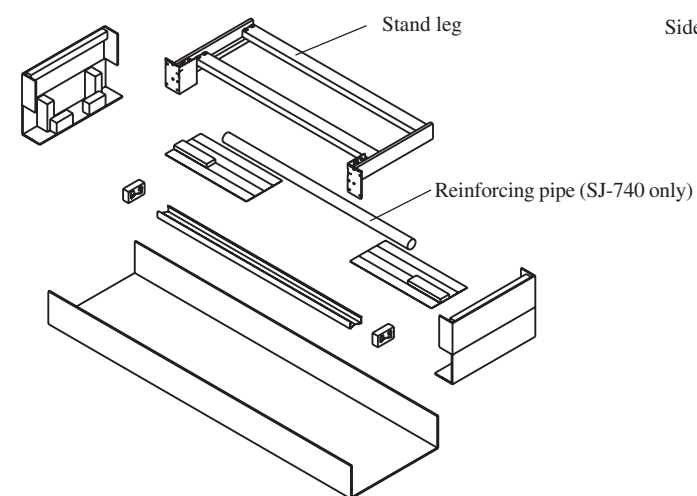
When attaching these transport bars to the main unit, place rubber feet to face down.
Failure to do so may result in pinching hands, leading to injury when moving the main unit.

How to Unpack

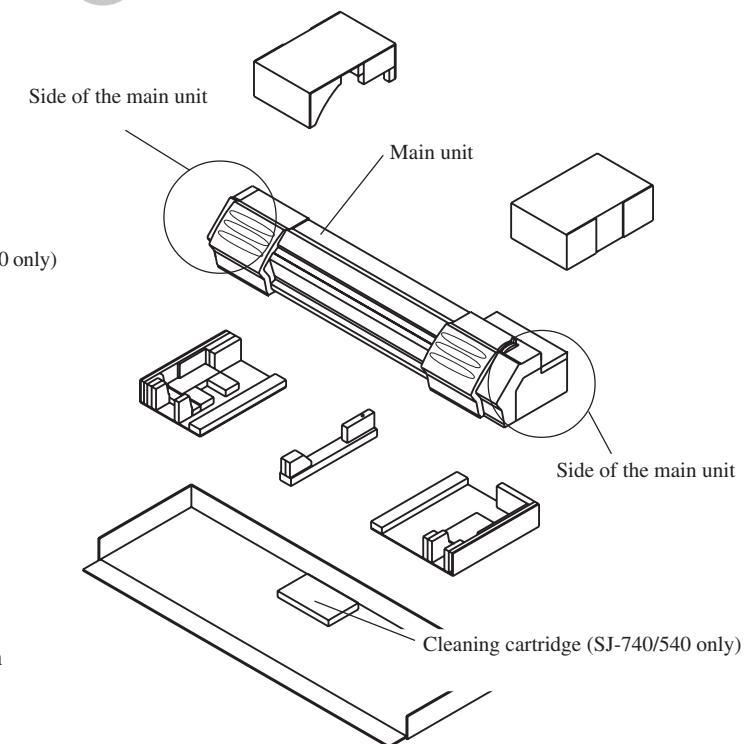
The packings will be needed if you must repackage the product. Please do not throw them away.



3 Take out the stand.



4 Grip the side of the main unit, and take out it.



5 Reading "Getting Started -- Assembling and Installing" in the User's Manual, assemble the machine.

Moving the Main Unit Attach these transport bars to the main unit, and move it.

- 1** Attach these transport bars at the bottom of the main unit. When doing this, place rubber feet to face down.
- 2** Use the included small bolts to secure.
- 3** Grip these position in the figure, and move it.

After moving the unit, detach these transport bars in the reverse order of this procedure.

How to Repack

Please be sure to remove ink as described in the section "Maintenance -- When Moving the Unit" in the User's Manual. Then, repackage the machine in the reverse order of this procedure.

