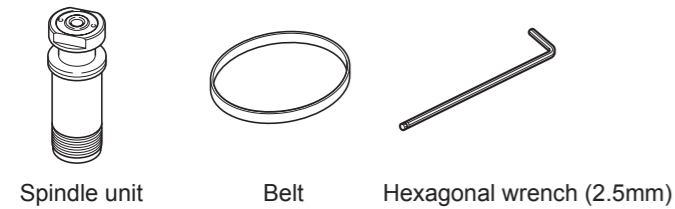


*Most of the figures in this document depict the EGX-350.

Included Items



How to Replace

⚠ WARNING Disconnect the power cord before performing replacement. Attempting such operations while the machine is connected to a power source may result in injury or electrical shock.

⚠ CAUTION When performing replacement, be sure to keep the tool detached. Contact with the blade may cause injury.

⚠ CAUTION Never touch the spindle unit immediately after cutting. Doing so may cause burns.

1. Getting Ready for Replacement

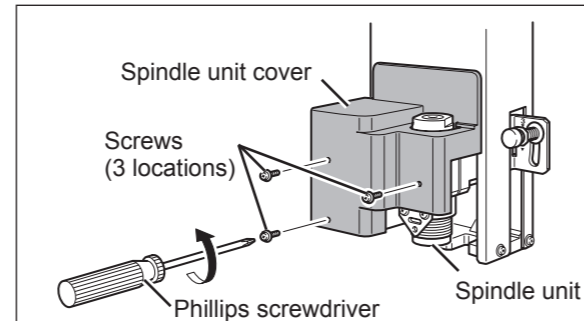
Carry out the following preparations.

- Have a commercially available Phillips screwdriver on hand.
- Have on hand the hexagonal wrench (3 mm) that came with main unit.
- Remove all cutting tools.
- Move the spindle head toward the front of the machine, then lower it to the very bottom of the operating range.
- When you've finished making the preparations just described, turn off the machine's power switch and unplug its power cord from the electrical outlet.

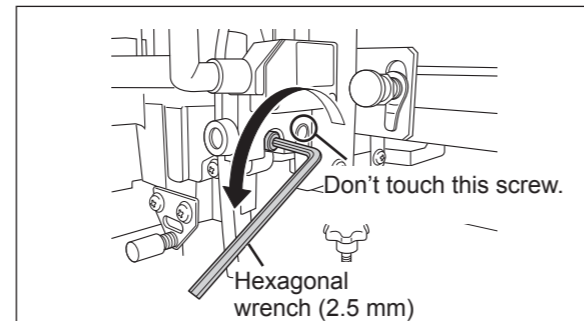
For more information about how to remove cutting tools and how to move the spindle head, refer to the user's manual included with main unit.

2. Removing the Spindle Unit

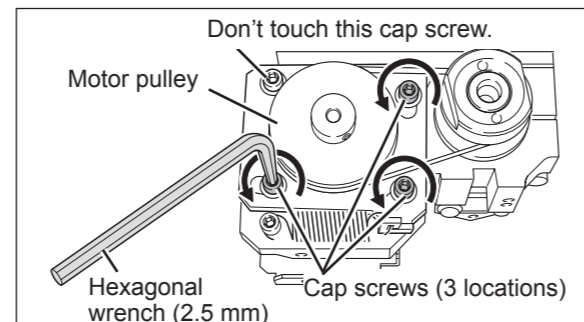
1 Remove the spindle-unit cover.



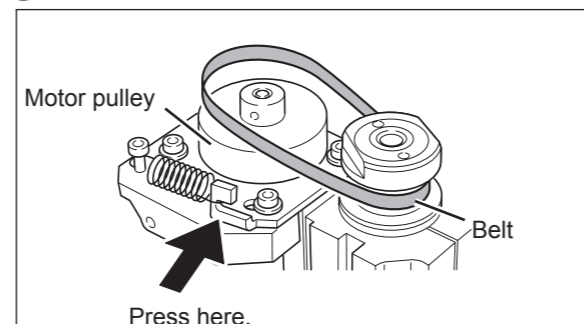
For the EGX-360, loosen the cap screw on the laser unit.



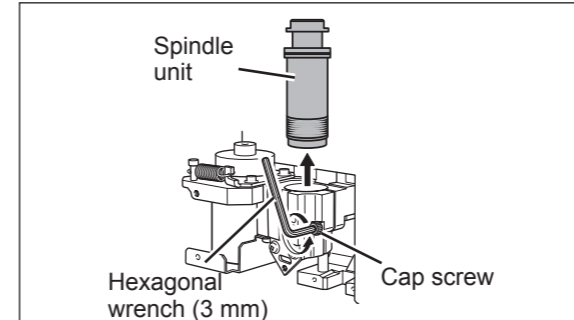
2 Loosen the cap screws securing the motor pulley in place.(3 locations)



3 Remove the belt.

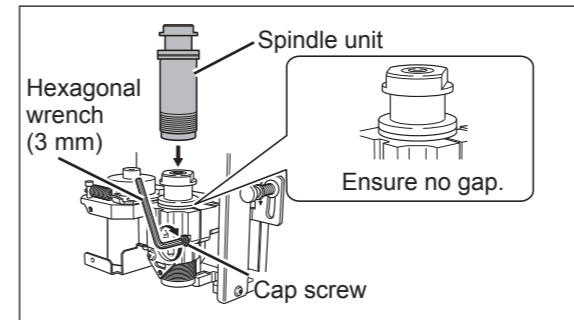


4 Remove the spindle unit.

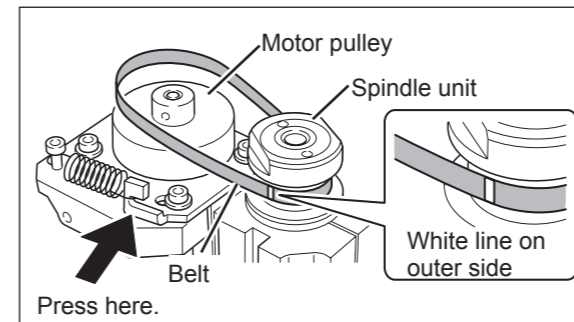


3. Installing the Spindle Unit

1 Mount the spindle unit.

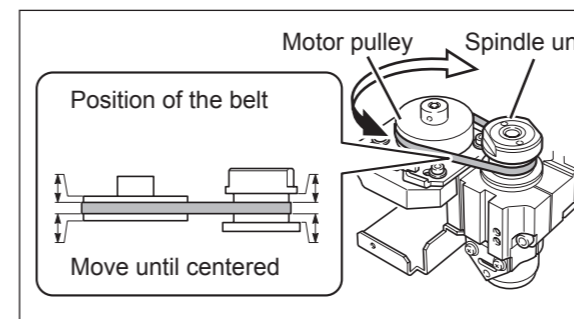


2 Engage the belt first on the spindle unit, and then on the motor pulley.

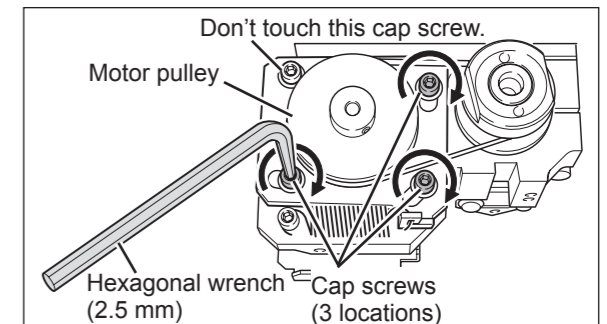


3 Adjust the position of the belt.

Turning the motor pulley in the direction of the arrow makes the belt move. Turn the motor pulley either clockwise or counterclockwise until the belt reaches the location in the figure below.

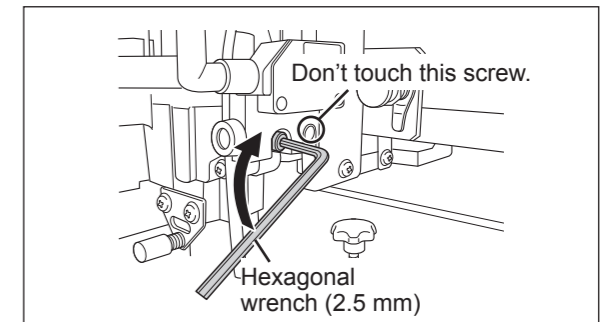


4 Secure the motor pulley in place.

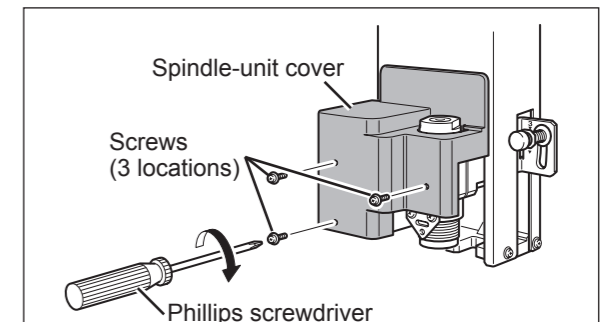


5 Attach the spindle-unit cover.

For the EGX-360, tighten the cap screw on the laser unit.



Attach the spindle-unit cover.



4. Spindle Run-in

Perform running-in operation for the spindle unit.

Immediately after replacing the spindle unit, carry out running-in operation for the spindle. For information on how to perform running-in operation, refer to the user's manual for the cutting machine.

